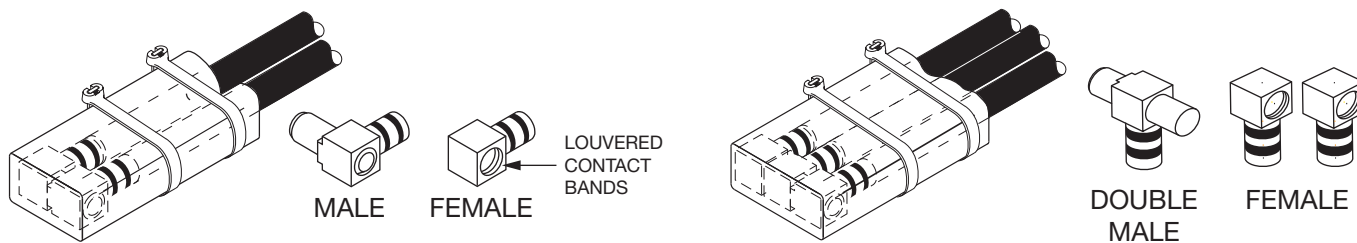


## MOTOR DISCONNECTS INSTALLATION INSTRUCTIONS



High Conductivity Copper, Color-Coded to match Installing Die.

TABLE I

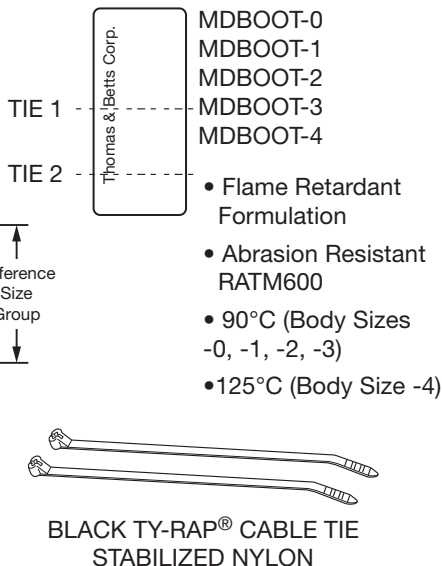
WIRE SIZE AWG	CATALOG NUMBERS		BOOT NO. & CABLE TIE
	FEMALE	MALE	
#16-14	MD1614F-0	MD1614M-0	MDBOOT-0 TY24M (2)
#16-14 #12-10 #8 #6	MD1614F-1 MD1210F-1 MD8F-1 MD6F-1	MD1614M-1 MD1210M-1 MD8M-1 MD6M-1	MDBOOT-1 TY24M (2)
#12-10 #8 #6 #4 #2 #1	MD1210F-2 MD8F-2 MD6F-2 MD4F-2 MD2F-2 MD1F-2	MD1210M-2 MD8M-2 MD6M-2 MD4M-2 MD2M-2 MD1M-2	MDBOOT-2 TY24M (2)
#6 #2 #1 #1/0 #2/0 #3/0 #4/0	MD6F-3 MD2F-3 MD1F-3 MD10F-3 MD20F-3 MD30F-3 MD40F-3	MD6M-3 MD2M-3 MD1M-3 MD10M-3 MD20M-3 MD30M-3 MD40M-3	MDBOOT-3 TY242M (2)
#4/0 #250 kcmil #350 kcmil #500 kcmil	MD40F-4 MD250F-4 MD350F-4 MD500F-4	MD40M-4 MD250M-4 MD350M-4 MD500M-4	MDBOOT-4 TYHT28M (2)

Sealant available, Catalog Number  
MDBOOT-SEAL

TABLE II

WIRE SIZE AWG	CATALOG NUMBERS		BOOT NO. & CABLE TIE
	FEMALE	DOUBLE MALE	
#16-14	MD1614F-0	M2D1614M-0	MDBOOT-1
#12-10 #8 #6	MD1210F-1 MD8F-1 MD6F-1	M2D1210M-1 M2D8M-1 M2D6M-1	M2DBOOT-1 TY242M (2)
#12-10 #8 #6 #4 #2 #1	MD1210F-2 MD8F-2 MD6F-2 MD4F-2 MD2F-2 MD1F-2	M2D1210M-2 M2D8M-2 M2D6M-2 M2D4M-2 M2D2M-2 M2D1M-2	M2DBOOT-2 TY242M (2)
#2 #1 #1/0 #2/0 #3/0 #4/0	MD2F-3 MD1F-3 MD10F-3 MD20F-3 MD30F-3 MD40F-3	M2D2M-3 M2D1M-3 M2D10M-3 M2D20M-3 M2D30M-3 M2D40M-3	M2DBOOT-3 TY26M

**NOTE:** Some catalog numbers shown above have suffixes: i.e. XXXXXG (indicating special packaging). All crimp settings for these parts are the same as for the base numbers.



**WARNING**  
**NOT FOR DISCONNECTING ENERGIZED CIRCUITS.**

### —INSTALLATION HINTS—

**A.** Always install the female lug on line leads and the male lug on the motor leads for 600V and less, female on both line leads and motor leads for the 5KV connection.

**B.** Always use the smallest body size for the lug possible for the largest wire in the junction box. Line leads are usually the largest.

**C.** Store the boots and bolts from the junction box in the re-closeable plastic bag provided. Use a Ty-Rap® cable tie or tape the bag to the conduit.

**D. IMPORTANT:** After fully inserting the male pin into the female barrel on the 600V connectors or inserting the double male pin between the two female connectors on the 5KV connections, make sure you install the boot that matches the size and voltage for your application.

**E. IMPORTANT:** properly seat connectors by fully inserting motor connectors to the bottom of the boot. On the 600V connectors, install the first tie just under the connectors seated in the boot. The second tie should be installed between the first tie and bottom of the boot.

## INSTALLATION INSTRUCTIONS

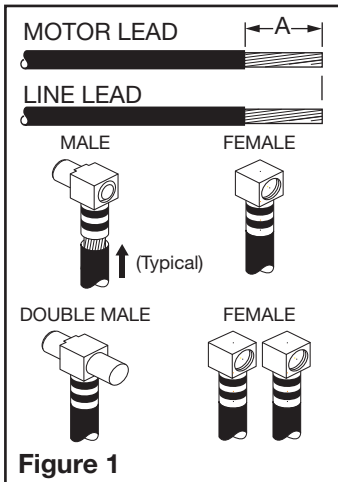
### STEP 1 (See Tables I & II, above)

Select the appropriate Motor Disconnects as needed for the motor lead and line lead wire sizes. Be sure to select the Motor Disconnects within the suitable size groups. Size groups may not be inter-mated. Motor Disconnects within each group may be mated. (MD1210F-2 mated with MD2M-2).

CONTINUED ON PAGE 2 of 2.

## STEP 2

Strip wires and attached wires to the male and female motor disconnects, see Figure 1 and Table III.



WIRE SIZE AWG	WIRE STRIP LENGTH A ±1/32
16-14	3/8
12-10	3/8
8	7/16
6	1/2
4	1/2
2	17/32
1	9/16
1/0	9/16
2/0	5/8
3/0	11/16
4/0	3/4
*4/0	1
250 kcmil	1-1/8
350 kcmil	1-1/8
500 kcmil	1-5/16

\*Body Size -4

## STEP 3

Crimp connectors with any T&B® installing tool as follows: WT111M, WT112M, WT2000, WT4002 installs #16 through #10. \*\*TBM45S installs #8 to #2 \*\*Requires 2 crimps, TBM5, TBM5S, TBM6, TBM6S, TBM8, TBM8S, installs #8 to 500kcmil. 6, 12/14, or 15 ton hydraulic tools installs #8 to 500 kcmil with appropriate die. See table IV.

## STEP 4

Push Male Pin into Female Barrel until fully inserted creating a pigtail, see Figure 2.

## STEP 5

Slide Boot/Insulator onto the pigtail connectors until it stops, see Figure 3.

## STEP 6

Fasten the first tie at the middle of the Boot/Insulator, tighten snugly. Fasten the second tie 1/4" from the end of the Boot/Insulator as shown and tighten. Cut excess tie flush with the head of the cable tie. See Figure 4.

## STEP 7

Dress lead assemblies into junction box.

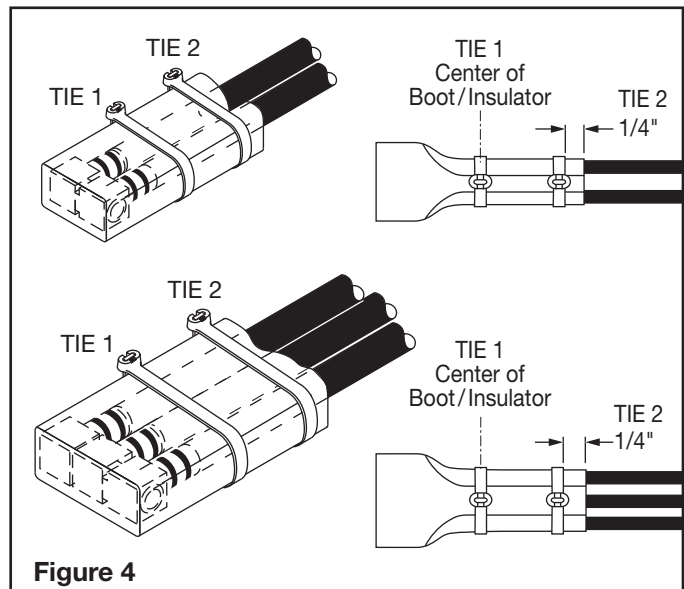
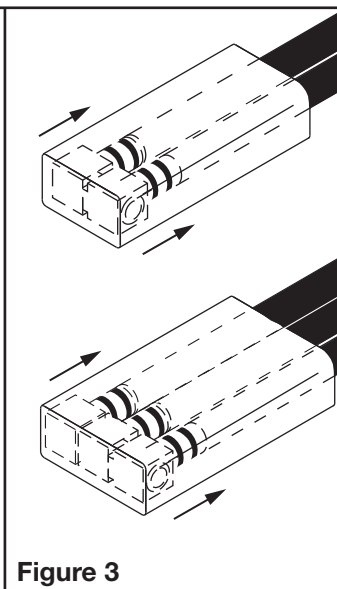
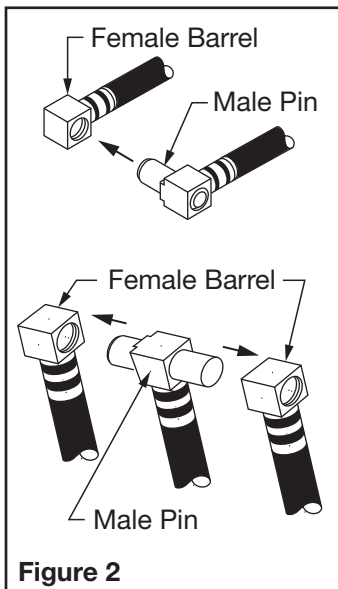


TABLE IV – Flexwire Listings

CAT. NO.		DOUBLE PIN MALE		WIRE SIZE	COLOR CODE	FLEX /24	CLASS G	CLASS H	CLASS I (24)	CLASS K (30)	CLASS M (34)	6 TON	14/15 TON
FEMALE DISCONNECT	MALE DISCONNECT	DISCONNECT	DISCONNECT										
MD1614F-0	MD1614M-0	M2D1614M-0		#16-14	BLUE	—	—	—	—	—	—	—	—
MD1614F-1	MD1614M-1	—		#16-14		—	—	—	—	—	—	—	—
MD1210F-1	MD1210M-1	M2D1210M-1		#12-10	YELLOW	—	—	—	—	—	—	—	—
MD1210F-2	MD1210M-2	M2D1210M-2		#12-10		—	—	—	—	—	—	—	—
MD8F-1	MD8M-1	M2D8M-1		#8	RED	8 (37/24)	8 (49 STR)	8 (133 STR)	—	8 (168 STR)	—	6TONXSS/6TON21XSS	15500X/15520XSS
MD8F-2	MD8M-2	M2D8M-2		#8		8 (37/24)	8 (49 STR)	8 (133 STR)	—	8 (168 STR)	—	6TONXSS/6TON21XSS	15500X/15520XSS
MD6F-1	MD6M-1	M2D6M-1		#6	BLUE	6 (61/24)	5 (49 STR)	5 (133 STR)	5 (84 STR)	5 (336 STR)	—	6TONXSS/6TON24XSS	15500X/15522XSS
MD6F-2	MD6M-2	M2D6M-2		#6		6 (61/24)	5 (49 STR)	5 (133 STR)	5 (84 STR)	5 (336 STR)	—	6TONXSS/6TON24XSS	15500X/15522XSS
MD4F-2	MD4M-2	M2D4M-2		#4	GRAY	5 (91/24)	4 (49 STR)	4 (133 STR)	4 (105 STR)	4 (420 STR)	4 (1061 STR)	6TONXSS/6TON29XSS	15500X/15527XSS
MD2F-2	MD2M-2	M2D2M-2		#2	BROWN	3 (125/24)	3 (49 STR)	3 (133 STR)	3 (133 STR)	3 (532 STR)	3 (1323 STR)	6TONXSS/6TON33XSS	15500X/15528XSS
MD2F-3	MD2M-3	M2D2M-3		#2		3 (125/24)	3 (49 STR)	3 (133 STR)	3 (133 STR)	3 (532 STR)	3 (1323 STR)	6TONXSS/6TON33XSS	15500X/15528XSS
MD1F-2	MD1M-2	M2D1M-2		#1	GREEN	2 (150or175/24)	2 (49 STR)	2 (133 STR)	2 (133 STR)	2 (665 STR)	2 (1666 STR)	6TONXSS/6TON37SS	15500X/15513XSS
MD1F-3	MD1M-3	M2D1M-3		#1		2 (150or175/24)	2 (49 STR)	2 (133 STR)	2 (133 STR)	2 (665 STR)	2 (1666 STR)	6TONXSS/6TON21XSS	15500X/15513XSS
MD10F-3	MD10M-3	M2D10M-3		1/0	PINK	1 (225/24)	1 (133 STR)	1 (133 STR)	1 (210 STR)	1 (836 STR)	1 (2107 STR)	6TONXSS/6TON42XSS	15500X/15508XSS
MD20F-3	MD20M-3	M2D20M-3		2/0	BLACK	1/0 (275/24)	1/0 (133 STR)	1/0 (259 STR)	1/0 (266 STR)	1/0 (1064 STR)	1/0 (2646 STR)	6TONXSS/6TON45XSS	15500X/15526XSS
MD30F-3	MD30M-3	M2D30M-3		3/0	ORANGE	2/0 (325/24)	2/0 (133 STR)	2/0 (259 STR)	2/0 (342 STR)	2/0 (1323 STR)	2/0 (3325 STR)	6TONXSS/6TON50XSS	15500X/15530XSS
MD40F-3	MD40M-3	M2D40M-3		3/0	PURPLE	3/0 (450/24)	3/0 (133 STR)	3/0 (427 STR)	3/0 (418 STR)	3/0 (1666 STR)	3/0 (4256 STR)	6TONXSS/6TON54XSS	15500X/15511XSS
MD40F-4	MD40M-4	—		4/0		3/0 (450/24)	3/0 (133 STR)	3/0 (427 STR)	3/0 (418 STR)	3/0 (1666 STR)	3/0 (4256 STR)	6TONXSS/6TON54XSS	15500X/15511XSS

### WARRANTY

Limited Warranty Applies. Refer to: [www.tnb.com/ecpwarranty](http://www.tnb.com/ecpwarranty) for full warranty terms.  
© 2016 Thomas & Betts. All Rights Reserved.

Thomas & Betts Corporation  
Memphis, Tennessee  
[www.tnb.com](http://www.tnb.com)