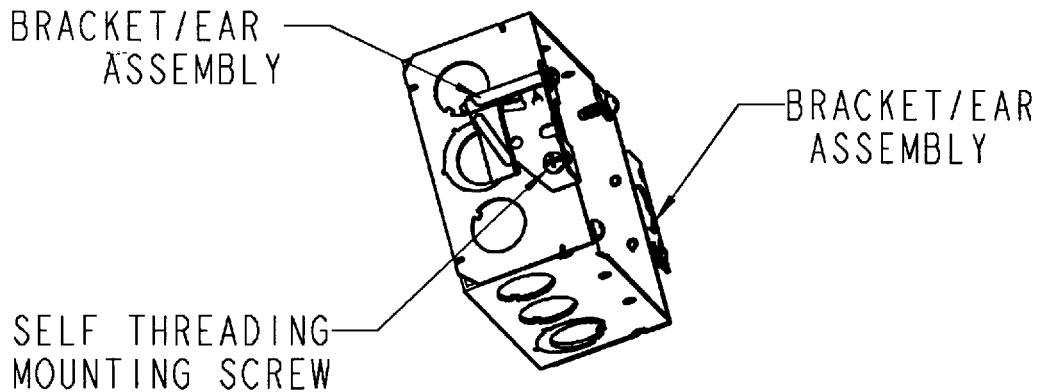
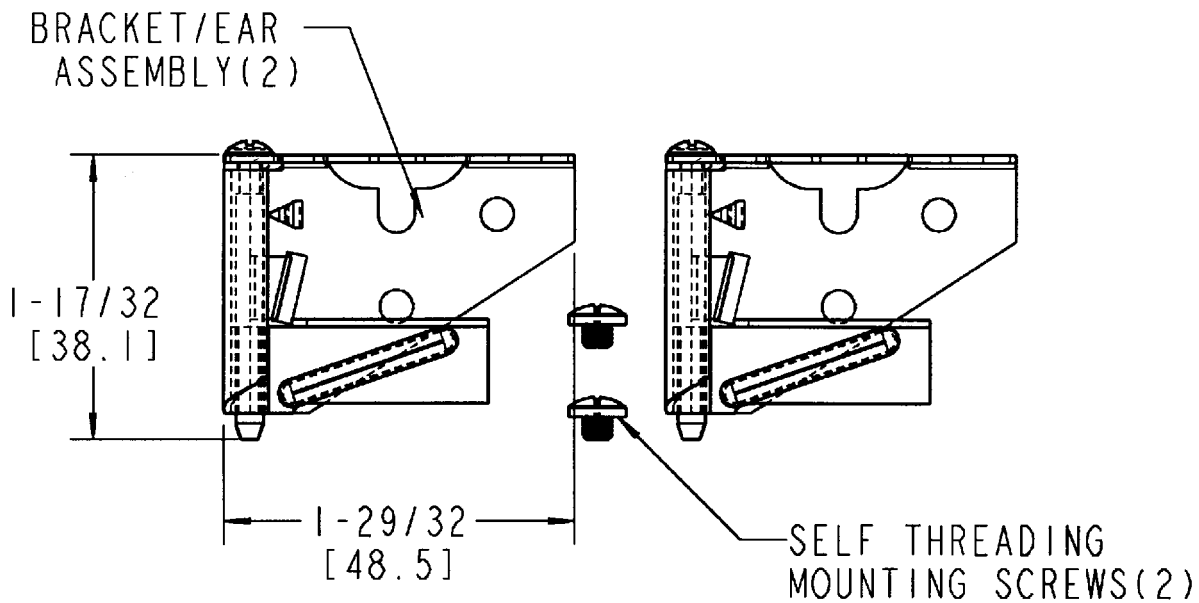



Steel City



TYPICAL INSTALLATION ON WELDED ON SIDE OF METALLIC BOX



CAT. NO. OW SWING EAR

GENERAL NOTES		 <small>www.fab.com</small>			
1. ALL DIMENSIONS ARE FOR REFERENCE ONLY. 2. DIMENSIONS IN BRACKETS [] ARE IN METRIC UNITS.					
REVISIONS		DESCRIPTION: OLD WORK BOX SWING EARS KIT			
** SEE ERN (****) FOR APPROVAL SIGNATURES & RELEASE DATE. PROJECT NO: ****					
		ORIGINAL PROJECT NO / (ERN NO)	SHEET NO:	REV. NO:	DRAWING NO:
		NM400387 / (2005888)	1 OF 1	-	WSD-000194