

DISCONNECT ENCLOSURE WITH CLAMPS, TYPE 4X

INDUSTRY STANDARDS

UL 508A Listed; Type 3R, 4, 4X, 12; File No. E61997
 cUL Listed per CSA C22.2 No. 94; Type 3R, 4, 4X, 12; File No. E61997

NEMA/EEMAC Type 3, 3R, 4, 4X, 12, 13
 CSA File No. 42186: Type 4, 4X, 12
 IEC 60529, IP66
 Meets NEMA Type 3RX requirements

APPLICATION

For disconnect applications in which a clamp-secured door is preferred, this enclosure features clamps on three sides to keep liquids and contaminants from entering and a preferred cutout that accepts major brand disconnect switches and circuit breakers.

Furnished with Enclosure

1. Bracket welded to door for attaching disconnect door catch (interlock)
2. Instructions to locate and install disconnect switches, circuit breakers and operating mechanisms

Standard Product

Catalog Number	AxBxC in.	AxBxC mm	Stainless Steel		Conductive Panel	Panel Size D x E (in.)	Panel Size D x E (mm)	Data Pocket Size (in.)	Data Pocket Size (mm)	Number of Clamps
			Type	Panel						
A24HS2108SSLP	24.00 x 21.38 x 8.00	610 x 543 x 203	304	A24P20	A24P20G	21.00 x 17.00	533 x 432	6.00 x 6.00	152 x 152	5
A24HS2108SS6LP	24.00 x 21.38 x 8.00	610 x 543 x 203	316L	A24P20	A24P20G	21.00 x 17.00	533 x 432	6.00 x 6.00	152 x 152	5
A24HS2508SSLP	24.00 x 25.38 x 8.00	610 x 645 x 203	304	A24P24	A24P24G	21.00 x 21.00	533 x 533	6.00 x 6.00	152 x 152	5
A24HS2508SS6LP	24.00 x 25.38 x 8.00	610 x 645 x 203	316L	A24P24	A24P24G	21.00 x 21.00	533 x 533	6.00 x 6.00	152 x 152	5
A30HS2508SSLP	30.00 x 25.38 x 8.00	762 x 645 x 203	304	A30P24	A30P24G	27.00 x 21.00	686 x 533	12.00 x 12.00	305 x 305	5
A30HS2508SS6LP	30.00 x 25.38 x 8.00	762 x 645 x 203	316L	A30P24	A30P24G	27.00 x 21.00	686 x 533	12.00 x 12.00	305 x 305	5
A36HS2508SSLP	36.00 x 25.38 x 8.00	914 x 645 x 203	304	A36P24	A36P24G	33.00 x 21.00	838 x 533	12.00 x 12.00	305 x 305	5
A36HS2508SS6LP	36.00 x 25.38 x 8.00	914 x 645 x 203	316L	A36P24	A36P24G	33.00 x 21.00	838 x 533	12.00 x 12.00	305 x 305	5
A36HS3108SSLP	36.00 x 31.38 x 8.00	914 x 797 x 203	304	A36P30	A36P30G	33.00 x 27.00	838 x 686	12.00 x 12.00	305 x 305	7
A36HS3108SS6LP	36.00 x 31.38 x 8.00	914 x 797 x 203	316L	A36P30	A36P30G	33.00 x 27.00	838 x 686	12.00 x 12.00	305 x 305	7
A42HS3112SSLP	42.00 x 31.38 x 12.00	1067 x 797 x 305	304	A42P30	A42P30G	39.00 x 27.00	991 x 686	12.00 x 12.00	305 x 305	10
A42HS3112SS6LP	42.00 x 31.38 x 12.00	1067 x 797 x 305	316L	A42P30	A42P30G	39.00 x 27.00	991 x 686	12.00 x 12.00	305 x 305	10
A42HS3712SSLP	42.00 x 37.38 x 12.00	1067 x 949 x 305	304	A42P36	A42P36G	39.00 x 33.00	991 x 838	12.00 x 12.00	305 x 305	10
A42HS3712SS6LP	42.00 x 37.38 x 12.00	1067 x 949 x 305	316L	A42P36	A42P36G	39.00 x 33.00	991 x 838	12.00 x 12.00	305 x 305	10
A48HS3712SSLP	48.00 x 37.38 x 12.00	1219 x 949 x 305	304	A48P36	A48P36G	45.00 x 33.00	1143 x 838	12.00 x 12.00	305 x 305	10
A48HS3712SS6LP	48.00 x 37.38 x 12.00	1219 x 949 x 305	316L	A48P36	A48P36G	45.00 x 33.00	1143 x 838	12.00 x 12.00	305 x 305	10
A60HS3712SSLP	60.00 x 37.38 x 12.00	1524 x 949 x 305	304	A60P36	A60P36G	57.00 x 33.00	1448 x 838	12.00 x 12.00	305 x 305	11
A60HS3712SS6LP	60.00 x 37.38 x 12.00	1524 x 949 x 305	316L	A60P36	A60P36G	57.00 x 33.00	1448 x 838	12.00 x 12.00	305 x 305	11

Purchase panels separately. Optional stainless steel, composite or aluminum panels are available for most sizes

SPECIFICATIONS

- 14 gauge Type 304 or Type 316L stainless steel
- Seams continuously welded and ground smooth
- External mounting brackets
- External-formed flange around all sides of enclosure opening
- Stainless steel door clamps on three sides of door
- Door removed by pulling stainless steel continuous hinge pin
- Data pocket is high-impact thermoplastic
- Seamless foam-in-place gasket
- Collar studs provided for mounting optional panels
- Holes provided in body for mounting disconnect operating handle and operating mechanism
- Bonding provision on door; ground stud on body
- All exterior hardware on Type 316L enclosures matches the enclosure material
- Bracket welded to door to attach disconnect door catch (interlock)
- Includes instructions for installing disconnect switches, circuit breakers and operating mechanisms

FINISH

Sides and body have smooth #4 brushed finish.

ACCESSORIES

See also Accessories.

Blank Adapter Plates, Stainless Steel
 Industrial Corrosion Inhibitors
 Electric Heater

PANELITE™ Enclosure Lights Overview

Panels for Type 3R, 4, 4X, 12 and 13 Enclosures

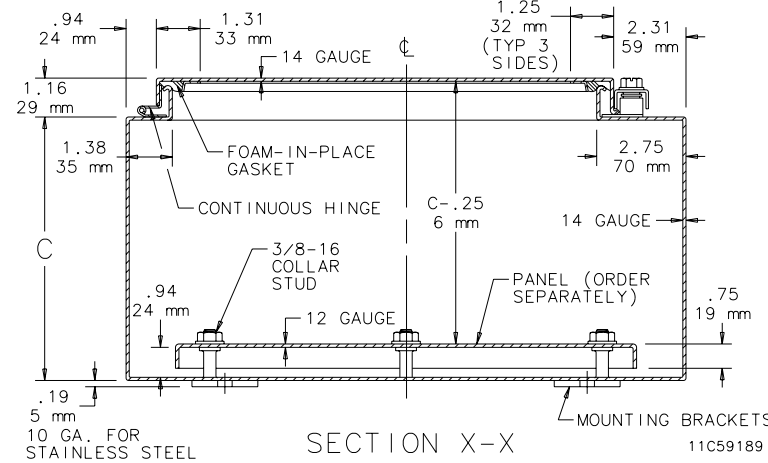
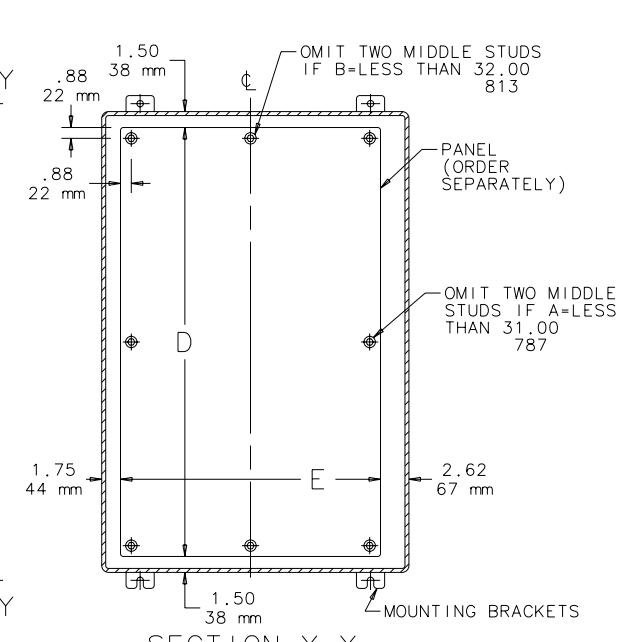
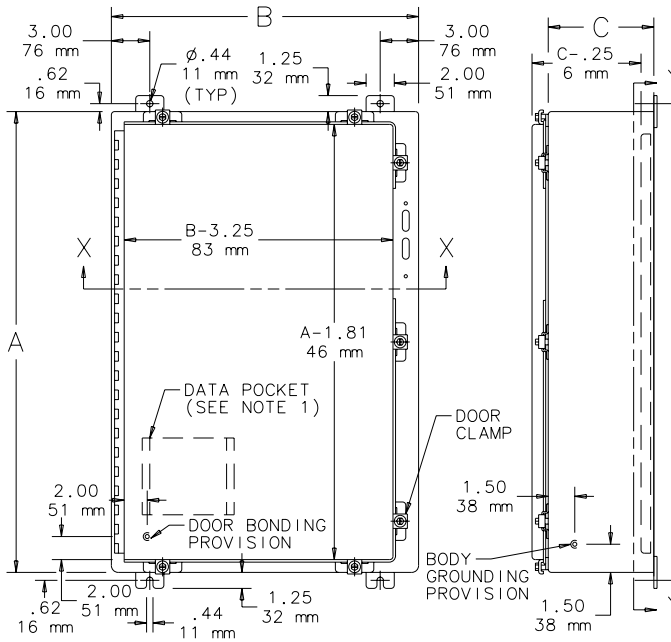
Terminal Block Kit Assembly for Type 4, 12 and 13 Enclosures

Steel and Stainless Steel Window Kits

MODIFICATION AND CUSTOMIZATION

Hoffman excels at modifying and customizing products to your specifications. Contact your local Hoffman sales office or distributor for complete information.

BULLETIN: A19S



SECTION X-X

SECTION Y-Y

DISCONNECT MOUNTING SPACE

Disconnects will occupy space on panel shown by dimensions E1, F1, and G1. Wiring space W1 is available when disconnect is installed in the enclosure.

E1 = 8.62 in. (219 mm) when C = 8.00 in. (203 mm)

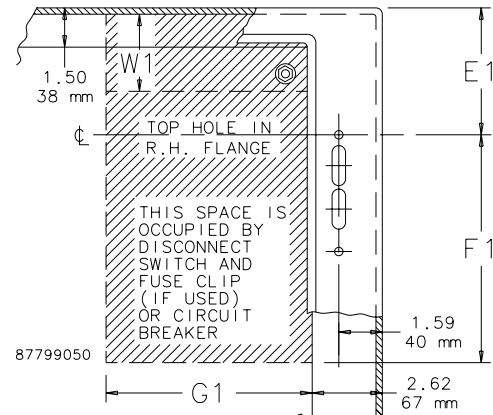
E1 = 11.62 in. (294 mm) when C = 12.00 in. (305 mm)

W1 = Wiring Space

Refer to **NATIONAL ELECTRICAL CODE, 2005** article 430-10(b) for wiring space required for line side conductors to be connected to disconnect.

Verify your application to determine whether wiring space is adequate.

Consult Space Occupied by Disconnect drawing to determine whether the disconnect device you are using will fit the enclosure size you have selected.



Consult disconnect manufacturer or see Disconnect Ordering Information at hoffmanonline.com under Technical Resources for F1 and G1 dimensions of various brands of disconnects.

PREFERRED-CUTOUT OVERVIEW



APPLICATION

Enclosures having the preferred cutout are sized for use with up to 200A disconnect switches and up to 400A circuit breakers unless otherwise specified. The preferred cutout accepts the smaller operating handle whose mounting hole centers are 4.688 in. apart. Preferred cutouts are standard in mild steel wall-mount enclosures, modular enclosures and some select large mild steel enclosures. They are also present on all standard stainless steel offerings. Mild steel operator adapter plates with brand specific preferred cutouts are available for enclosures with a rectangular universal cutout.

Preferred cutouts are designed to house the following:

Allen-Bradley

- Bulletin 1494V disconnect switches with flange-mount variable-depth operating mechanisms and Bulletin 1494V flange-mount variable-depth operating mechanisms for circuit breakers
- Bulletin 140U flexible cable operating mechanisms for 140U molded case circuit breakers
- Bulletin 140G flexible cable and variable depth flange-mount molded case circuit breakers
- Bulletin 1494C cable-operated disconnect switches with flange-mount handles
- Bulletin 194RC cable-operated flange-mount handles for use with the NFPA 79 compliant 194R IEC rotary disconnect switches

Allen-Bradley Bulletin 1494V-R1, -R2 and -W2 operating handles and Allen-Bradley Bulletin 1494F disconnect devices or Bulletin 1494D circuit breaker operators will NOT fit these enclosures.

ABB Controls flange-mount variable-depth operating mechanisms for disconnect switches and circuit breakers. Also the cable version for circuit breakers.

Eaton Cutler-Hammer Type C361 flange-mount variable-depth operating mechanisms with disconnect switches and Type C371 flange-mount variable-depth operating mechanisms for circuit breakers.

General Electric Type STDA flange handles and variable-depth operating mechanisms for disconnect switches and circuit breakers. Also SPECTRAFLEX™ cable operators for circuit breakers.

Siemens ITE MAX FLEX® flange-mount variable-depth operating handles for circuit breakers.

Schneider Square D® Class 9422 disconnect switches with flange-mount variable-depth operating mechanisms or cable mechanisms and Class 9422 flange-mount variable-depth operating mechanisms or cable mechanisms for circuit breakers.

These enclosures will NOT accept Square D Class 9422 bracket-mounted disconnect devices, Class 9422TG1 or TG2 devices.

ORDERING

The disconnect switch, operating handle, and operating mechanism must be ordered from disconnect equipment supplier. See Technical Information in the Hoffman Specifier's Guide for wire bend space available when various manufacturers' disconnect switches are installed, or Disconnect Ordering Information at hoffmanonline.com for disconnect ordering guidelines and wire bend space available. Check the enclosure dimension drawings to verify the chosen disconnect switch will fit in the enclosure.