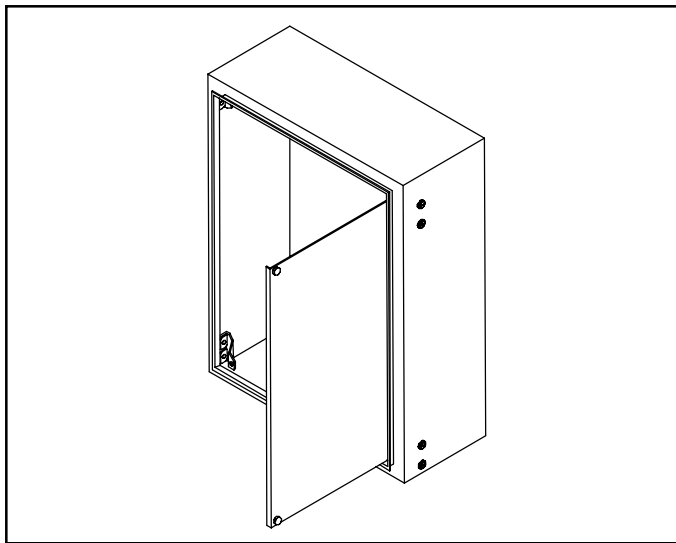




A Pentair Company

NEMA Swing-Out Panel Kit


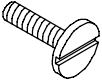

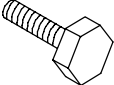

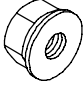
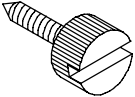


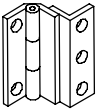




WARNING



To avoid electric shock and equipment damage, disconnect any power supplies to the enclosure before drilling mounting holes. Do not energize any circuits before all internal and external electrical and mechanical clearances are checked to assure that all assembled equipment functions safely and properly.

<p>1</p>  <p>Order Separately</p> <p>(1x)</p>	<p>2</p> <p>1/4-20x.50</p>  <p>(8x)</p>	<p>3</p>  <p>(8x)</p>
	<p>4</p> <p>3/8-16x.75</p>  <p>(4x)</p>	<p>5</p>  <p>(4x)</p>
<p>6</p> <p>3/8-16</p>  <p>(4x)</p>	<p>7</p> <p>5/16-18x1.19</p>  <p>(2x)</p>	<p>8</p>  <p>(2x)</p>
<p>9</p>  <p>(2x)</p>	<p>10</p>  <p>(2x)</p>	

This accessory maintains UL/CSA Type 12,4,4X when installed per these instructions.

This accessory is covered by UL file E61997 and CSA file LR42186.

INSTALLATION STEPS

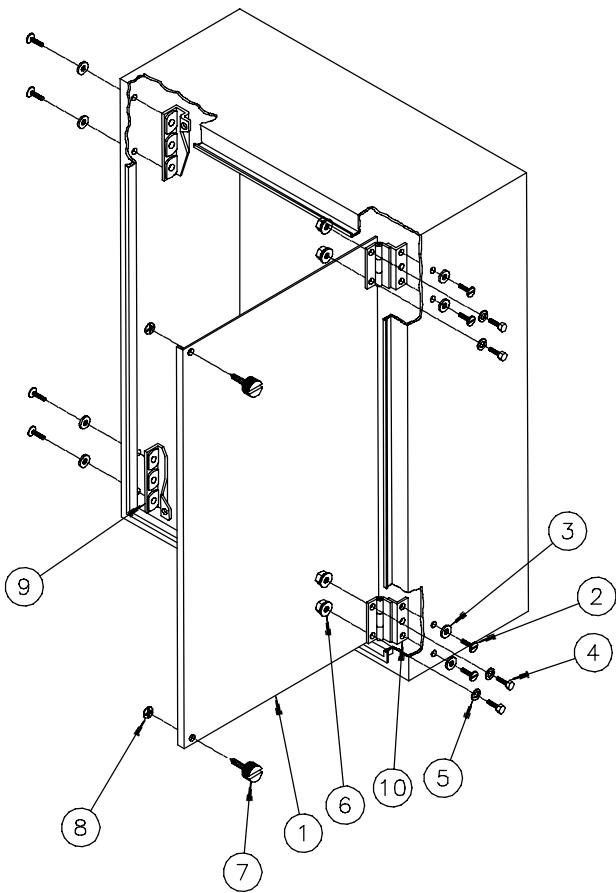
Step 1 – Swing panel may be hinged on any side. Determine mounting position desired and drill eight .312 (8mm) diameter holes as shown on page 6.

Step 2 – Mount hinges and securing brackets using pan head screws with nylon washers under the screw heads. In order to meet NEMA 4 and NEMA 12 standards, nylon washers must be used.

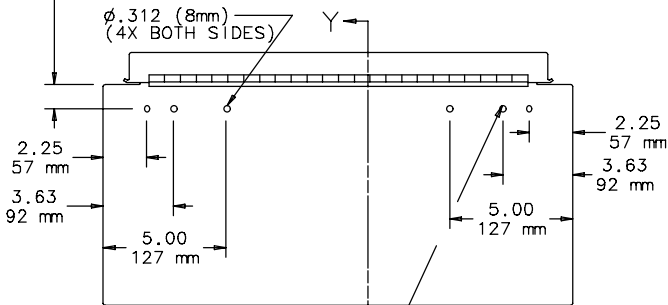
Step 3 – Mount swing panel to hinges with 3/8" hex head bolts, lockwashers, and hex nuts. Adjust panel until panel swings freely through the door opening.

Step 4 – Captivate thumb screws to panel using retaining rings provided.

Step 5 – On larger enclosures or with heavy panel loading, be sure to drill two holes in swing panel and install two bolts per hinge as shown.

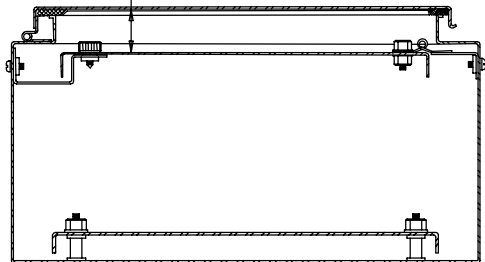


1.656 (42MM) MIN. FOR BULLETIN A1SM, A1M, A1L
 (A42N3009 AND LARGER).
 1.656 (42MM) MIN. FOR BULLETIN A4,
 A12, A13, & A15.
 1.562 (40MM) MIN. FOR BULLETIN A3LO, A3M, ADSM
 STYLE "HCLO" (A16R166HCLO AND LARGER).
 1.250 (32MM) MIN. FOR BULLETIN A52.



USE OPTIONAL MIDDLE
 & INSIDE HOLES FOR
 MOUNTING ON THE
 LATCH SIDE OF
 BULLETIN A-3 STYLE
 "HCLO".

- 1.250 (32MM) MIN. FOR BULLETINS A4,
A12 AND A13.
1.219 (31MM) MIN. FOR BULLETIN A3LO,A3M,A3SM
STYLE "HCLO" (A16R166HCLO AND LARGER).
1.328 (34MM)MIN. FOR BULLETIN A15.
1.188 (30MM) MIN. FOR BULLETIN A1SM,A1M,A1L
(A42N3009 AND LARGER).
.906 (23MM) MIN. FOR BULLETIN A52.



Y-Y



A Pentair Company

Hoffman Enclosures Inc.

2100 Hoffman Way
Anoka, MN 55303-1745
(763) 422-2211
www.hoffmanonline.com

Pentair Electronic Packaging

170 Commerce Drive
Warwick, RI 02886
(401) 732-3770
www.pentair-ep.com

Mexico

Hoffman Enclosures Mexico
Federico T. de la Chica No. 8 Piso 4 A
Circuito Comercial Plaza Satélite
Ciudad Satélite,
Naucalpan, México C.P. 53100
011-52-55-5393-8263

Canada

Hoffman-Schroff
111 Grangeway Avenue, Suite 504
Scarborough, Ontario M1H 3E9
(416) 289-2770
1-800-668-2500 (Canada only)

Germany

Schroff GmbH
Langenalber Str. 96-100
75334 Straubenhardt
49 (07082) 794-0 www.schroff.de

Great Britain

Schroff UK Ltd.
Maylands Avenue
Hemel Hempstead, Herts HP2 7DE
44 (01442) 240471 www.schroff.co.uk

Sweden

Schroff Scandinavia AB
Box 2003
12821 Skarpnäck
46 08683 61 00 www.schroff.se

France

Schroff Sas
Z.I., 4 rue du Marais
67660 Betschdorf
33 03 88 90 64 90 www.schroff.fr

Italy

Schroff srl
Viale Milano, 119
21013 Gallarate (Varese)
39 0331 79 40 03

Singapore

Hoffman-Schroff Pte. Ltd.
#01-68/71 German Centre
25 International Business Park
Singapore 609916
65 5 62-78 90

Japan

Schroff K.K.
Nisso No. 13 Bldg. 4F
2-5-1 Shinyokohama
Kohoku-Ku, Yokohama shi
Kanagawa 222-0033
81 (045) 476-02 81

Finland

Schroff Scandinavia AB
Peräsimentie 8
03100 Nummela
358 09 222 68 00

Norway

Schroff Scandinavia AB
Bjoernerudveien 24
1266 Oslo
47 022 76 33 60