

**CONCEPT CONSOLE, TYPE 4X**

**INDUSTRY STANDARDS**

UL 508A Listed; Type 3R, 4, 4X, 12; File No. E61997  
 cUL Listed per CSA C22.2 No 94; Type 3R, 4, 4X, 12; File No. E61997

NEMA Type 3R, 4, 4X, 12, 13  
 CSA File No. 42186: Type 4, 4X, 12  
 Meets NEMA Type 3RX requirements

**APPLICATION**

Sloped CONCEPT Consoles provide a convenient surface for mounting and monitoring components. Ergonomically designed so users can sit or stand while working, consoles feature a large internal capacity for mounting components and controls.

**SPECIFICATIONS**

- 14 gauge Type 304 stainless steel
- Ergonomically designed for sitting or standing operation
- Solid bottom
- Corner-formed doors
- External-formed 90-degree body flange
- 20-degree sloped-top cover for 38.00-in. (965-mm) tall console or 30-degree top cover for 48.00-in. (1219-mm) console
- Quarter-turn stainless steel latches hold top cover securely closed
- Door props hold top cover open at 90-degrees
- Integral water-shedding trough
- Collar studs for optional back panel
- Optional side panels (mounted to collar studs) expand equipment mounting space
- Tool-to-open 3-point latch on front access door; door is removable and reversible; 170-degree full-access opening
- Seamless foam-in-place gasket
- Bonding provision on door; grounding stud on body
- Provision for data pocket on lower front door
- Easy-to-remove clip-style hinge pins

**FINISH**

Doors and body have smooth #4 brushed finish.

**ACCESSORIES**

See also *Accessories*.  
 Caster Kit  
 Side Panels

**MODIFICATION AND CUSTOMIZATION**

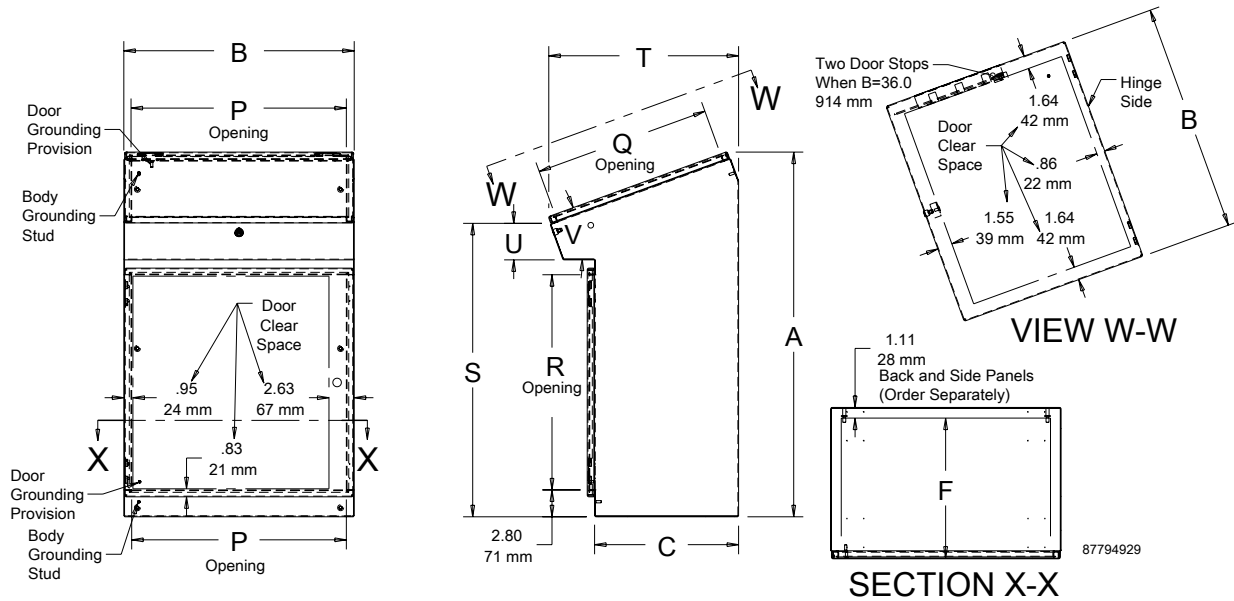
Hoffman excels at modifying and customizing products to your specifications. Contact your local Hoffman sales office or distributor for complete information.

**BULLETIN: C1S**

## Standard Product

Catalog Number	AxBxC in./mm	Back Panel	Conductive Panel	Back Panel Height x Width in./mm	F in./mm	P in./mm	Q in./mm	R in./mm	S in./mm	T in./mm	U in./mm	V	W in./mm	Data Pocket
CFC382416SS	38.00 x 24.00 x 15.00	CP3624	CP3624G	34.20 x 22.20	14.57	22.40	18.40	22.37	30.44	19.82	3.79	20°	20.00	Small
	965 x 610 x 381			869 x 564	370	569	467	568	773	503	96		508	
CFC383616SS	38.00 x 36.00 x 15.00	CP3636	CP3636G	34.20 x 34.20	14.57	34.40	18.40	22.37	30.44	19.82	3.79	20°	20.00	Large
	965 x 914 x 381			869 x 869	370	874	467	568	773	503	96		508	
CFC482423SS	48.00 x 24.00 x 18.00	CP2442	CP2442G	40.20 x 22.20	17.57	22.40	23.36	28.35	35.35	23.84	2.54	30°	24.00	Large
	1219 x 610 x 457			1021 x 564	446	569	593	720	898	606	64		610	
CFC483623SS	48.00 x 36.00 x 18.00	CP4236	CP4236G	40.20 x 34.20	17.57	34.40	23.36	28.35	35.35	23.84	2.54	30°	24.00	Large
	1219 x 914 x 457			1021 x 869	446	874	593	720	898	606	64		610	

Order Back Panel and Data Pocket separately.



**CASTER KIT**



Order two swivel caster kits or one swivel caster kit plus one stationary caster kit.  
 Height = 3.72 in. (94 mm)  
 Wheel diameter = 3.00 in. (76 mm)  
 Load rating each = 210 lb. (95 kg)

**BULLETIN: C1**

Catalog Number	Description
AC4M6ST	Caster kit, stationary (2 casters per kit)
AC4M6SV	Caster kit, swivel (2 casters per kit)
CCPK18	Caster plate kit, 18 in., (2 plates per kit)

Order two swivel caster kits or one swivel caster kit plus one stationary caster kit.

**SIDE PANELS**



One panel per kit. Two kits required if a panel is needed on each side.

**BULLETIN: C1**

Catalog Number	D in./mm	E in./mm	G in./mm
CPC3816	27.15 690	13.65 347	4.33 110
CPC4823	31.57 802	16.65 423	3.54 40

