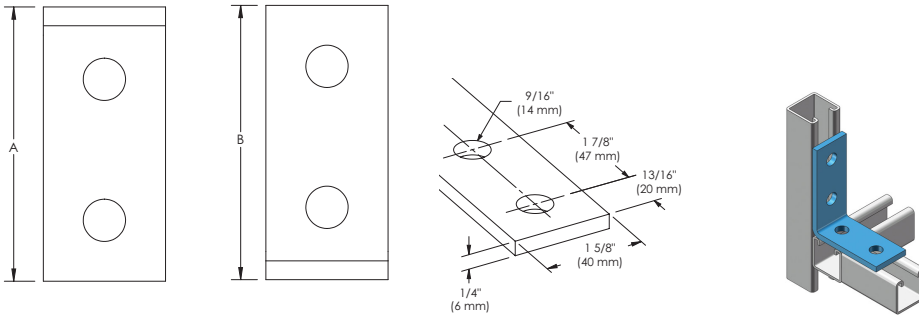


# 2-2 Hole Corner Angle Bracket – L220000EG



- Used to create metal frames with CADDY ERISTRUT channels



Part Number	L220000EG
Material	Steel
Finish	Electrogalvanized
A	4 1/8"
B	3 1/2"
Screw Included	No
Standard Packaging Quantity	25 pc
UPC	78285634538

## WARNING

Pentair products shall be installed and used only as indicated in Pentair's product instruction sheets and training materials. Instruction sheets are available at [erico.pentair.com](http://erico.pentair.com) and from your Pentair customer service representative. Improper installation, misuse, misapplication or other failure to completely follow Pentair's instructions and warnings may cause product malfunction, property damage, serious bodily injury and death and/or void your warranty.

© 2017 Pentair All rights reserved

Pentair, CADDY, CADWELD, CRITEC, ERICO, ERIFLEX, ERITECH and LENTON are owned by Pentair or its global affiliates.

All other trademarks are the property of their respective owners. Pentair reserves the right to change specifications without prior notice.

