

European Electric Hoist

[Home](#) > [Products](#) > [European Crane](#) > [European Electric Hoist](#)


European Electric Hoist

Weihua Crane Machinery Co., Ltd.

Address: Industry Park, Changyuan, Henan, P.R.C

TEL : 0086-15836006986

FAX: 0086-373-8883166

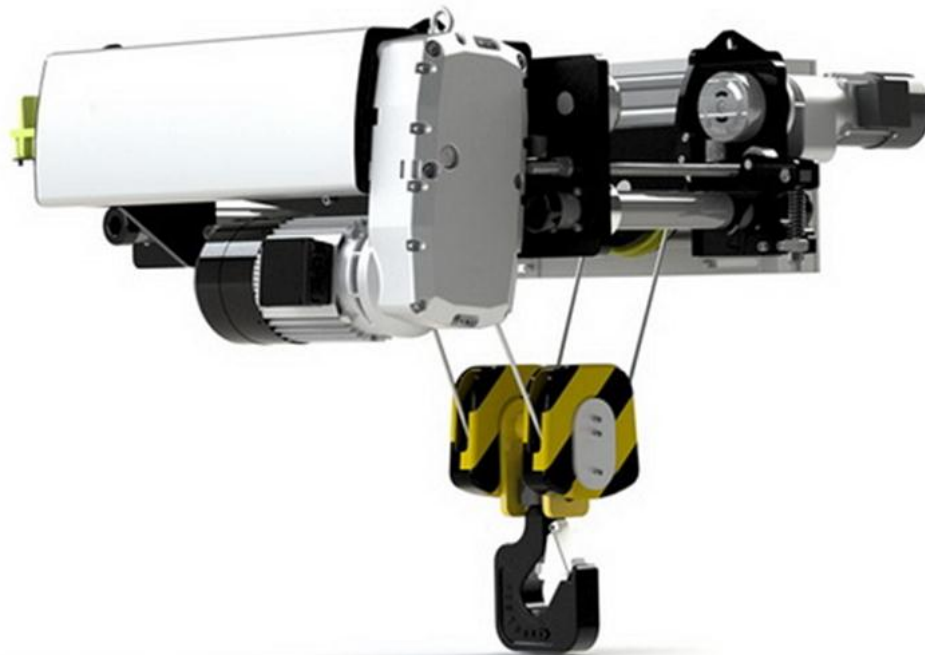
Email: marketing@craneus.com

Email: contact@craneus.com

[Overview](#)
[Features](#)
[Technical Data](#)

Overview

The overall layout of European Electric Hoist is parallel C-type structure, compact, good force location, installation and maintenance of motor and reducer both are very convenient. Adopt unique anti-wheel turning round design, reduced dimensions and hoist weight.



Weihua Crane is professional material handling equipment manufacturer and servicer with largest production in global. Provide you with [overhead crane](#), [gantry crane](#), electric hoist, etc. of safe, reliable and efficient crane solutions and services.

Recommend



Double girder overhead crane is widely used lifting equipment currently. Consists of bridge frame, crane travelling mechanism, trolley with frame and electrical parts.



Electric Hoist Double Girder Crane is double girder overhead crane which takes electric hoist as lifting mechanism, lifting capacity from 5T to 32T. For general hoisting.



Single Girder Overhead Crane supporting the use of CD, MD electric hoist. Adopt soft start motor can achieve smooth and quiet operation. Used in factories, warehouses.



A-type Gantry Crane is double girder crane with A-type gantry frame steel structure. It is equipped with rail clamp, anemometer, limiter and other protective devices.

Contact Us

Industry Park, Changyuan, Henan, P.R.C

 0086-15836006986

 0086-373-8883166

 marketing@craneus.com

 contact@craneus.com

Contact Us

Simply complete the form below, click submit, you will get the price list and we will contact you within one business day. Please also feel free to contact us by email or phone.

Message *

enter your message here...

Name *

enter your name...

Email *

enter your e-mail address...

TEI *

enter your tel...

Submit comment



Weihua Crane Machinery Co., Ltd.

Weihua Crane started since the year 1988; it is professional material handling equipment manufacturer and servicer with largest production all over the world. With Weihua Crane historical influence, "China Crane Town" (which covers more than 2/3 crane market in China) developed in the area around Weihua headquarter.

Our main businesses are researching, developing, manufacturing and sales of all kinds of lifting equipment. We have passed the ISO9001 quality system certification, ISO14001 environmental management system certification, OHSAS18001 occupational health and safety management system certification, CE certification, etc.

Our advantages and differences with other crane manufacturers are that we have professional crane team to provide you with safe, reliable, efficient crane solutions and services, and as far as possible to reduce your cost. Crane your

business, let's develop together!



Excellent Product and Solutions

Weihua become one of general hoisting machinery manufacturing industry leader with the largest production and sales volume. We can provide electric hoists, single/double beam overhead cranes, gantry cranes, and such varieties of lifting equipment 10 serious more than 200 types. The lifting capacity of the overhead crane can achieve 1000t, and the gantry crane 900t, to meet all kinds of project need.

Weihua is committed to provide total optimized crane program solution and perfect service to help customer to save cost and improve efficiency.



Advanced R&D | Strong Q&C | Production capacity

Weihua has Technology Testing and Inspection Center authorized by the state, post-doctoral research station, obtains 283 technology patent certificates and inventions, R & D team of Weihua with 600 people and with Shu-zi Yang (academician from the Chinese Acader of Engineering) as the foregoer, is the biggest one in general purpose crane industry in China.

Weihua now adopted the "lean production management", the undaunted testing and outstanding market performance, ensuring Weihua stand out as the leading brand within crane industry. We continuously make the innovation on technical and strict on QC management keep the products quality steady improving.

The company total asset is of 0.78 billion US Dollar, over 6000 employees, covers an area of 3.42 million square meters, one of our workshop is the largest within the whole world crane industry. A varieties of 1700 sets manufacturing and testing equipment, including machining, heat treatment, welding, assembly, testing and packaging shipped metering and other ancillary equipment with a full range of advanced production scale and production capacity.



Outstanding Marketing Performance & Long-term Partner

Production and sales of overhead and gantry cranes won the first in China for continuous 8 years. And now, total production amount o Weihua Crane products achieve world first. Weihua has developed strategic partnership with Siemens, GH Spain, Demag, SEW, Schneider, etc.

Weihua cranes widely used in machinery manufacturing, iron and steel metallurgy, nuclear industry of mining, water conservancy and hydropower, roads and railways, electric power, automobile manufacturing, petrochemical, port logistics, shipbuilding and other materiel handling, etc. We have successfully exported to more than 90 countries and regions such as the United States, Great Britain, Russia, India, Brazil, Peru, South Africa, Mongolia, South Korea, Australia, Southeast Asia, the Mid-East, etc. And get well reputation.

Weihua crane with strong capacity, focus on customer service, provide with first-class quality, safety and reliable products, create more and more value for customers, these are the reasons we set-up stable and long-term relationship with our customers.

Weihua Crane Make the World Easier | Craneus



2015年1月20日

European Electric Hoist_European Electric Hoist:

- About Us
 - Certificates
 - Products
 - Technology & Production
 - News
 - Export Performance
 - Our Services
 - Contact us
- Overhead Crane
 - Gantry Crane
 - European Crane
 - Electric Hoist
 - Grab Crane
 - Electromagnetic crane
 - Explosion-proof Crane
 - Power Plant Overhead Crane

- Container Gantry Crane
- Metallurgical Foundry Crane
- Bridge Construction Gantry Crane
- Jib Crane
- Lift Table
- Crane Parts
- New Product & Technology

Name:Weihua Crane Machinery
Email:marketing@craneus.com
Email:contact@craneus.com
Fax:0086-373-8883166
Tel:0086-15836006986



Technical Support © Chineseccms.  

Links: www.xxxxx