

## CHARGEUR WACKER WL30

- [Wacker Neuson Australia](#)
- [WL 30](#) Wheel Loaders: bucket capacity < 0.65m<sup>3</sup>

# Technical specifications

	Canopy	Cabin
<b>Engine / Motor</b>		
Engine / Motor manufacturer	Perkins	Perkins
Engine / Motor type	404 D-22	404 D-22
Cylinder	4	4
Engine performance kW	35.7	35.7
at rpm maximum rpm	2,600	2,600
Displacement cm <sup>3</sup>	2,216	2,216
Coolant type	Water	Water
<b>Operating data and Weights</b>		
Operating weight kg	3,050	3,120
Speed Level 1 km/h	0-7	0-7
Speed Level 2 km/h	0-20	0-20
Bucket capacity Standard bucket m <sup>3</sup>	0.45	0.45
Lifting force maximum daN	3,229	3,229
Breakaway force maximum daN	4,043	4,043
Tipping load with bucket - machine straight kg	1,912	2,013
Tipping load with pallet fork - machine straight kg	1,537	1,625
Tipping load with bucket - machine at angle kg	1,625	1,714
Tipping load with pallet fork - machine at angle kg	1,300	1,377
Tipping load with bucket - machine at angle (40°) kg	1,625	1,714
Tipping load with pallet fork - machine at angle (40°) kg	1,300	1,377
<b>Hydraulic system</b>		
Driving hydraulics - operating pressure bar	450	450
Driving hydraulics - discharge capacity l/min	78	78
Operating hydraulics - operating pressure bar	210	210
Operating hydraulics - discharge capacity l/min	49	49
<b>Filling capacities</b>		
Tank capacity (fuel) l	53	53
Engine oil l	8.3	8.3

	Canopy	Cabin
Hydraulic oil tank l	32	32
Hydraulic system l	40	40
Coolant l	11.5	11.5
Front axle l	3.2	3.2
Rear axle l	3.9	3.9
<b>Electrical system</b>		
Operating voltage V	12	12
Battery Ah	77	77
Alternator A	65	65
Cabin - specified sound pressure level LpA dB(A)	85	85
Sound level (LwA) dB(A)	101	101

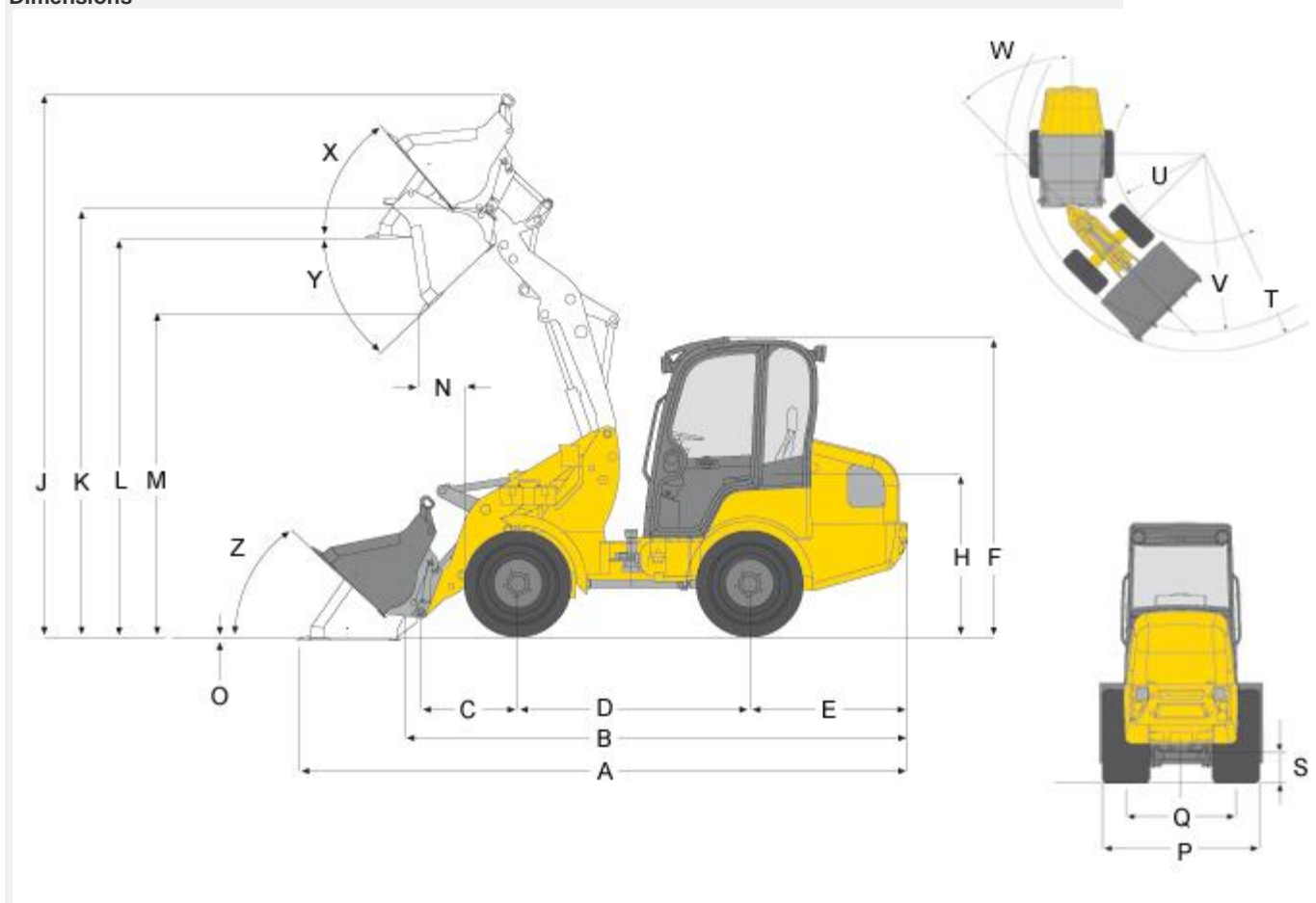
Standard bucket = digging bucket, width 1400 mm

These products might also interest you:

- **WL 30** Wheel Loaders: bucket capacity < 0.65m³

[Metric »Imperial »](#)

### Dimensions



<b>A Overall length</b>	4,554 mm
<b>B Overall length without bucket</b>	3,748 mm
<b>C Bucket pivot point to axle center</b>	722 mm
<b>D Wheelbase</b>	1,732 mm
<b>E Rear overhang</b>	1,179 mm
<b>F Height with driver's canopy</b>	2,230 mm
<b>F Height with folding driver's canopy</b>	2,344 mm
<b>F Height with folding driver's canopy, folded</b>	1,828 mm
<b>F Height with cab</b>	2,251 mm
<b>H Seat height</b>	1,254 mm
<b>J Total operating height</b>	4,070 mm
<b>K Bucket pivot point max.stroke height</b>	3,209 mm
<b>L Overhead loading height</b>	2,990 mm
<b>MDumping height</b>	2,416 mm
<b>N Range at M</b>	334 mm
<b>O Scraping depth</b>	26 mm
<b>P Overall width</b>	1,345 mm
<b>Q Track width</b>	941 mm
<b>S Ground clearance</b>	261 mm
<b>T Radius maximum</b>	3,442 mm
<b>U Radius at outer edge</b>	3,080 mm
<b>V Inside turning radius</b>	1,714 mm

<b>W Articulation angle</b>	40 °
<b>X Reverse roll angle at max.stroke height</b>	50 °
<b>Y Tip-out angle maximum</b>	43 °
<b>Z Reverse roll angle at ground level</b>	43 °

---