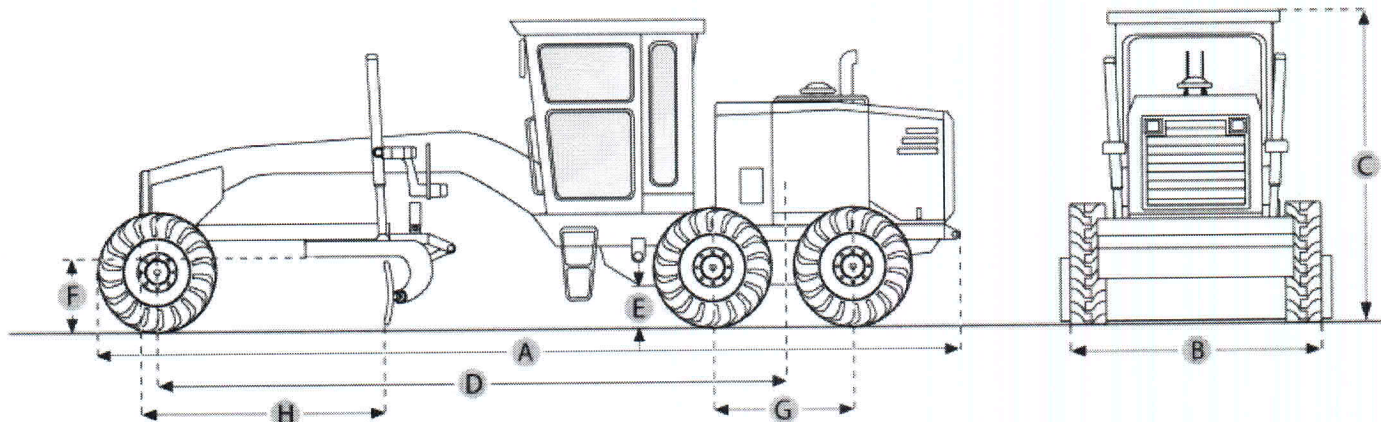


CATERPILLAR 140G MOTOR GRADER

Print specification



Selected Dimensions

Dimensions

A. OVERALL LENGTH	27.3 ft in	8310 mm
B. WIDTH OVER TIRES	8 ft in	2440 mm
C. HEIGHT TO TOP OF CAB	11 ft in	3360 mm
D. WHEELBASE	19.4 ft in	5920 mm
G. TANDEM AXLE WHEELBASE	5 ft in	1520 mm
H. BLADE BASE	8.4 ft in	2570 mm

Specification

Engine

MAKE	Caterpillar	
MODEL	3306	
NET POWER GEAR 5-6	150 hp	111.9 kw
NUMBER OF CYLINDERS	6	
MAX POWER	150 hp	111.9 kw
DISPLACEMENT	638 cu in	10.5 L

Operational

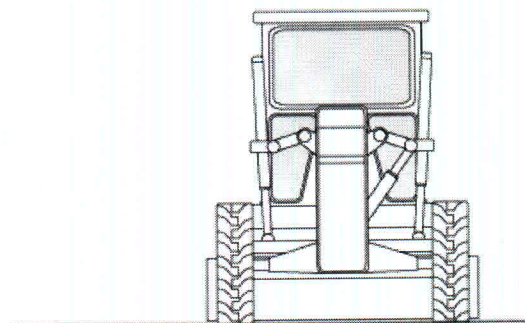
STD OPERATION WEIGHT - TOTAL	27822.3 lb	12620 kg
FUEL CAPACITY	75 gal	284 L
OIL SYSTEM FLUID CAPACITY	7.7 gal	29.3 L
COOLING SYSTEM FLUID CAPACITY	12.5 gal	47.3 L
HYDRAULIC SYSTEM FLUID CAPACITY	18 gal	68 L
TIRE SIZE	14x24 10PR	
OPERATING VOLTAGE	24 V	
ALTERNATOR SUPPLIED AMPERAGE	40 amps	

Transmission

TYPE direct drive power shift

NUMBER OF GEARS -

4



Viewing Photo 1 of 5

MAX SPEED - FORWARD	25.5 mph	41 km/h
MAX SPEED - REVERSE	25.5 mph	41 km/h

Steering

ARTICULATION L/R	50 degrees	
TURNING RADIUS	24 ft in	7.3 m

Front Axle

WHEEL LEAN	18 degrees	
OSCILLATION - TOTAL	32 degrees	
GROUND CLEARANCE	2 ft in	610 mm

Hydraulic System

PUMP TYPE	closed-centre, constant-pressure system w/ variable displacement piston pump	
PUMP FLOW	51 gal/min	193.1 L/min
RELIEF VALVE PRESSURE	2150 psi	14823.7 kPa

Moldboard

MOLDBOARD WIDTH	12 ft in	3660 mm
MOLDBOARD HEIGHT	24 in	610 mm
MOLDBOARD THICKNESS	0.87 in	22 mm
MAX DEPTH OF CUT	17.2 in	438 mm
SIDE SHIFT LEFT	26 in	660 mm
SIDE SHIFT RIGHT	26 in	660 mm

Circle

DIAMETER	60.2 in	1530 mm
ROTATION	360 degrees	
SHIFT LEFT	25.6 in	650 mm
SHIFT RIGHT	20.5 in	520 mm
MAX REACH OUTSIDE TIRES - LEFT	77.2 in	1960 mm
MAX REACH OUTSIDE TIRES - RIGHT	72 in	1830 mm
MAX LIFT ABOVE GROUND	18.3 in	464 mm

Dimensions

HEIGHT TO TOP OF CAB	11 ft in	3360 mm
OVERALL LENGTH	27.3 ft in	8310 mm
WIDTH OVER TIRES	8 ft in	2440 mm
WHEELBASE	19.4 ft in	5920 mm
BLADE BASE	8.4 ft in	2570 mm
TANDEM AXLE WHEELBASE	5 ft in	1520 mm