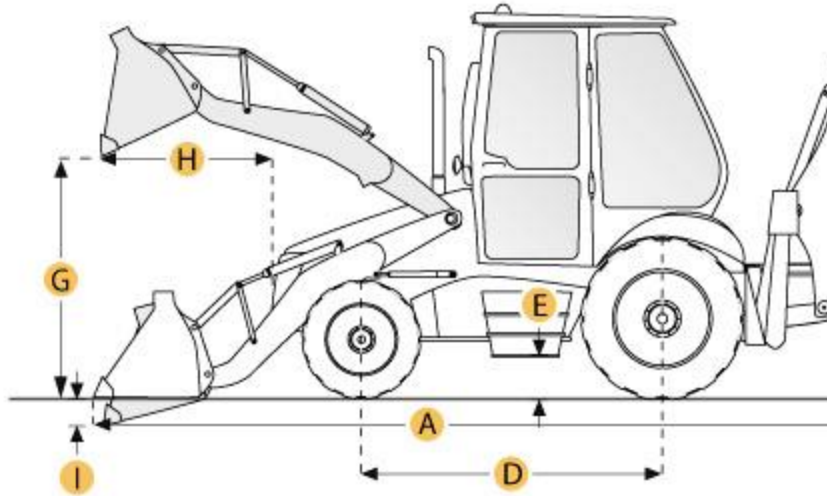


JCB 4CX 14FT (214S) Loader Backhoe



Selected Dimensions

Backhoe

J. Load Height - Std	11.2 ft in	3400 mm
K. Reach From Swivel - Std	17.8 ft in	5440 mm
L. Dig Depth - Std	14.6 ft in	4450 mm
M. Reach at Load Height - Std	5.5 ft in	1680 mm

Dimensions

A. Transport Length	24.2 ft in	7370 mm
B. Transport Width	8 ft in	2450 mm
C. Transport Height	11.3 ft in	3430 mm
D. Wheelbase	7.6 ft in	2310 mm
E. Ground Clearance	1.1 ft in	340 mm
F. Height to Top of Cab	9.4 ft in	2870 mm

Loader

G. Clearance at Max Dump Height	8.8 ft in	2690 mm
H. Reach at Max Dump Height	2.8 ft in	860 mm
I. Dig Depth	7.9 in	200 mm

Specification

Engine

Make	JCB	
Model	444	
Net Power	97.6 hp	72.8 kw
Gross Power	100 hp	74.6 kw

Displacement	268.5 cu in	4.4 L
Power Measured @	2200 rpm	
Torque Measured @	1300 rpm	
Net Max Torque	307.6 lb ft	417 Nm
Aspiration	Turbo	
Operational		
Operating Weight 2wd	16446 lb	7459.8 kg
Max Weight	16986 lb	7704.7 kg
Fuel Capacity	42.5 gal	160.9 L
Hydraulic System Fluid Capacity	33.4 gal	126.4 L
Oil System Fluid Capacity	3.9 gal	14.8 L
Cooling System Fluid Capacity	6.1 gal	23 L
Transmission Fluid Capacity	4.2 gal	15.9 L
Front Axle Fluid Capacity	4.2 gal	15.9 L
Rear Axle Fluid Capacity	4.2 gal	15.9 L
Turning Radius	15.1 ft in	4600 mm
Tire Size Front - 2wd / 4wd	16.9-24 R4 12ply	
Rear Tires Size 2wd/4wd	16.9-24 R4 12ply	
Operating Voltage	12 V	
Alternator Supplied Amperage	95 amps	
Transmission		
Type	JCB Powershift	
Number of Forward Gears	4	
Number of Reverse Gears	4	
Max Speed - Forward	22.5 mph	36.2 km/h
Max Speed Reverse	22.5 mph	36.2 km/h
Backhoe		
Dig Depth - Std	14.6 ft in	4450 mm
Dig Depth - Ext	18.5 ft in	5630 mm
Reach From Swivel - Std	17.8 ft in	5440 mm
Reach From Swivel - Ext	21.5 ft in	6550 mm
Bucket Dig Force - Std	12026.2 lb	5455 kg
Bucket Dig Force - Ext	11602.9 lb	5263 kg
Load at Max Lift - Std	3681.7 lb	1670 kg
Load at Max Lift - Ext	1911.4 lb	867 kg
Load Height - Std	11.2 ft in	3400 mm
Load Height - Ext	14 ft in	4270 mm
Reach at Load Height - Std	5.5 ft in	1680 mm
Reach at Load Height - Ext	9.1 ft in	2770 mm
Loader		
Bucket Capacity	1.4 yd3	1.1 m3

Bucket Width	94 in	2387.6 mm
Bucket Breakout Force	12638 lb	56.2 kN
Lift Capacity at Full Height	9046 lb	4103.2 kg
Clearance at Max Dump Height	8.8 ft in	2690 mm
Reach at Max Dump Height	2.8 ft in	860 mm
Dig Depth	7.9 in	200 mm
Hydraulic		
Pump Type	dual gear pumps	
Pump Flow Capacity	39.1 gal/min	148 L/min
Relief Valve Pressure	3300 psi	22752.7 kPa
Dimensions		
Transport Length	24.2 ft in	7370 mm
Transport Width	8 ft in	2450 mm
Transport Height	11.3 ft in	3430 mm
Height to Top of Cab	9.4 ft in	2870 mm
Wheelbase	7.6 ft in	2310 mm
Ground Clearance	1.1 ft in	340 mm

