

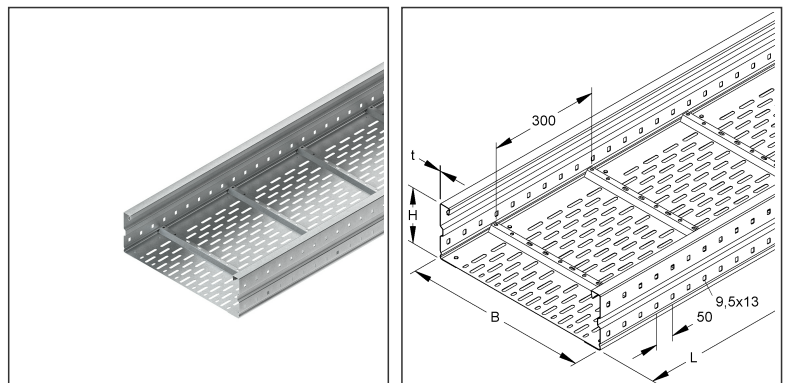
## Wide Span Cable Tray

perforated, with continuous perforated and beaded side profiles

WRL 150.600 E3

EAN Code: 4013339725588

the photorealistic images are to be considered as reference images



### Article Description

Wide span cable tray, 150x600x6000 mm, t=1,5 mm, perforated, stainless steel, material code: 1.4301, AISI 304, incl. accessories

# Technical Datasheet

## Long Span Cable Tray

WRL 150.600 E3

the photorealistic images are to be considered as reference images

### Incl. accessories

<b>6 meter = 1 piece</b>		✓ lowest delivery unit	✓ preferred delivery unit
Model No.	Description	quantity	
FLM 6X12 E3	Mushroom-head bolt M6, similar DIN 603, length 12 mm, stainless steel, material code: 1.4301, AISI 304	4 pcs.	
RSL 600 E3	Joint bar for wide span cable tray, B=589 mm, for bottom stabilisation, stainless steel, material code: 1.4301, AISI 304, incl. accessories	1	
<b>60 meter = 1 bundle</b>		- lowest delivery unit	- preferred delivery unit
Model No.	Description	quantity	
FLM 6X12 E3	Mushroom-head bolt M6, similar DIN 603, length 12 mm, stainless steel, material code: 1.4301, AISI 304	40 pcs.	
RSL 600 E3	Joint bar for wide span cable tray, B=589 mm, for bottom stabilisation, stainless steel, material code: 1.4301, AISI 304, incl. accessories	10	

### Additional Price Information

Article group	N13
---------------	-----

### Weight

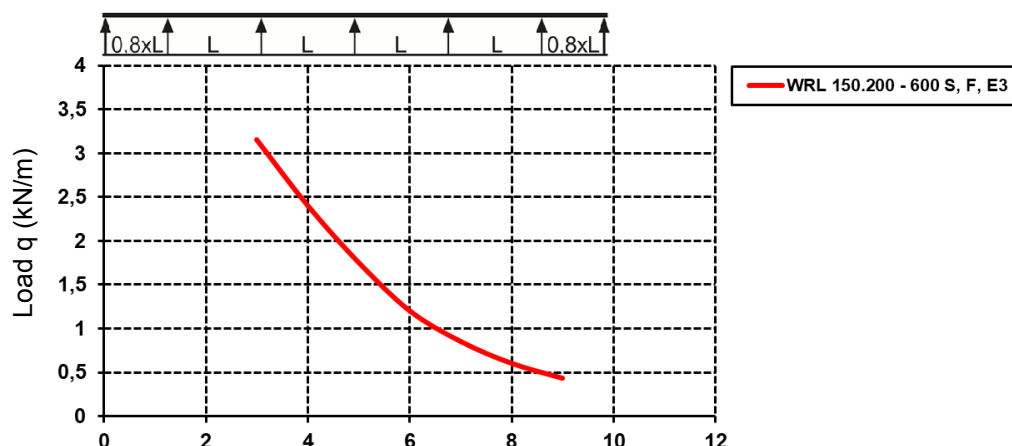
Weight per quantity unit	10 kg
Weight in kg per 100	1000 kg

### Physical Article Dimensions

Height	150.00 mm
Width	600 mm
Depth/length	6000 mm

### Load Specifications

Load diagram:  $q$  = evenly distributed cable load (tested acc. to DIN EN IEC 61537)



Fixing distance (m)

The load details shown in the diagram are independent of the position of the connectors.

# Technical Datasheet

## Long Span Cable Tray

WRL 150.600 E3

the photorealistic images are to be considered as reference images

### Packing Dimension

<b>6 meters = 1 piece</b>		✓ VP1-smallest packaging unit ( PU)		✓ VP1-preferred PU	
Lenght	6000 mm	Width	600 mm	Height	150.00 mm
Gross weight	60 kg	Volume	0,540 m³		
Min. quantity	6	Max. Quantity	6		
<b>60 meters = 1 bundle</b>					
Lenght	6000 mm	Width	630 mm	Height	860 mm
Volume	3,251 m³				
Min. Quantity	60.00	Max. Quantity	60.00		

### Tender Text

Wide span cable tray, acc. to DIN EN 61537, with continuous perforated and beaded side beams as well as riveted bottom with offset perforation and perforated cross beads for stabilisation and barrier strip fastening, including a joint bar RSL..., proportional fastening accessories in stainless steel and splice plate WSV 150.500 to be ordered separately.

Dimensions (approx. dimensions)  
 Height H x Width : 150 x 600 mm  
 Material thickness : 1.5 mm  
 Cross section distance : 300 mm  
 Side beam perforation : 9.5 x 13 mm  
 Hole distance : 50 mm  
 Delivery length : 6000 mm  
 Usable cross-section : 77995 mm²  
 Material : stainless steel, material no. 1.4301, AISI 304  
 NIEDAX Model No. : WRL 150.600 E3  
 EP Material \_\_\_\_\_ EP Wage \_\_\_\_\_  
 Unit price/meter

### Safety & Environment

REACH Date	23.01.2024
REACH Info	Conformable
RoHS Info	Conformable

### Origin & International Trade

Country of origin	DE
Customs tariff number	73089059

# Technical Datasheet

## Long Span Cable Tray

WRL 150.600 E3

the photorealistic images are to be considered as reference images

### Related items

#### Cover

Model No.	Description
WDRS 20 E3	Turning bolt with locknut acc. to DIN EN ISO 10511, for WSL/WRL, stainless steel, material code: 1.4301, AISI 304, incl. accessories
WDV 600 E3	Cover for WSL/WRL, w. joint strip, 604x3000 mm, with turning lock, stainless steel, material code: 1.4301, AISI 304

#### Barrier strip

Model No.	Description
KLWC 16 E3	Barrier strip fastening clamp, for 16 mm slot width, stainless steel, material code: 1.4301, AISI 304, incl. accessories
RW 110 E3	Barrier strip, 98x3000 mm, t=0,9 mm, stainless steel, material code: 1.4301, AISI 304, incl. accessories

#### Connector

Model No.	Description
WSV 150.500 E3	Splice plate, 151,5x500 mm, stainless steel, material code: 1.4301, AISI 304, incl. accessories

#### Accessories

Model No.	Description
WHAS 150 E3	Wide span beam connection piece, height 150 mm, stainless steel, material code: 1.4301, AISI 304, incl. accessories