

### Cable Ladder

rung spacing 300 mm, with continuously perforated side profiles, with riveted, upwardly open rungs made of C-profiles with 11 mm slot width

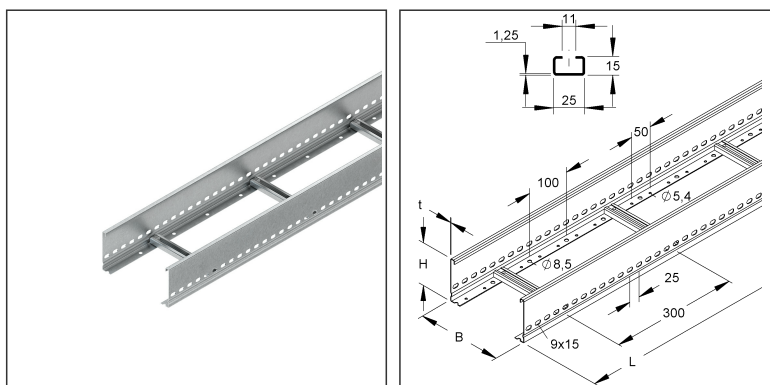
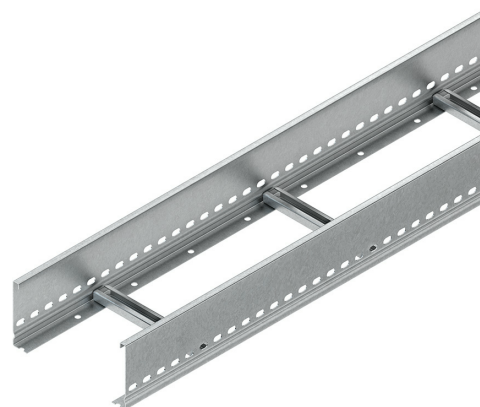
### KL 100.403 F

EAN Code: 4013339904044

Smallest packaging unit: 6 m

quantity unit: m M

the photorealistic images are to be considered as reference images



### Article Description

Cable ladder, 100x400x6000 mm, t=1,5 mm, perforated, steel, hot dip galvanised DIN EN ISO 1461

### Additional Price Information

Article group	N13
quantity unit	m

### Weight

Weight per quantity unit	4,305 kg / m
Weight in kg per 100	430 kg / 100m

# Technical Datasheet

## Cable Ladder System

KL 100.403 F

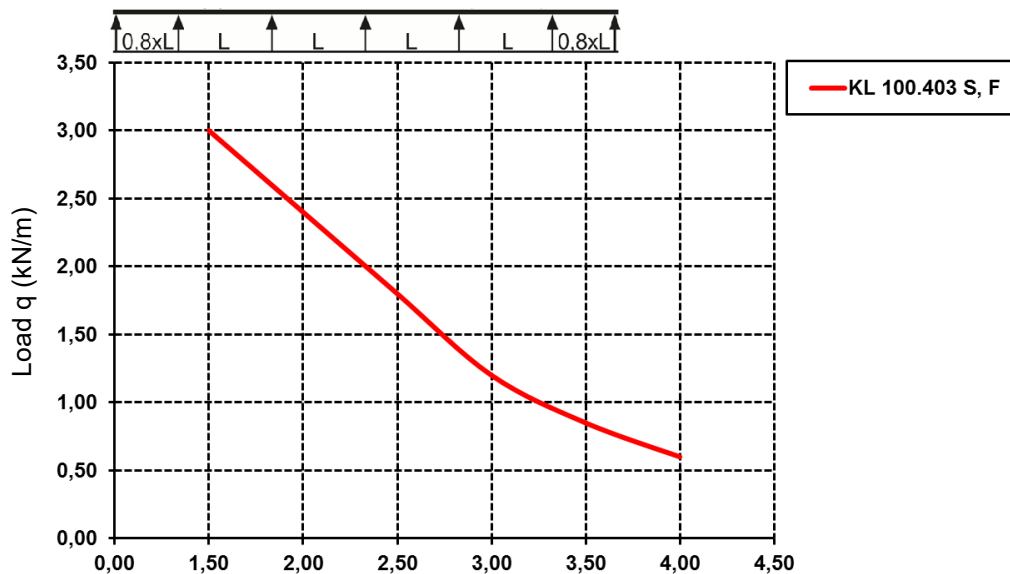
the photorealistic images are to be considered as reference images

### Physical Article Dimensions

Height	100.00 mm
Width	400 mm
Depth/length	6000 mm

### Load Specifications

Load diagram:  $q$  = evenly distributed cable load (tested acc. to DIN EN IEC 61537)



Fixing distance (m)

The load details shown in the diagram are independent of the position of the connectors.

### Packing Dimension

<b>6 meters = 1 piece</b>		✓ VP1-smallest packaging unit ( PU)	✓ VP1-preferred PU		
Lenght	6000 mm	Width	400 mm	Height	100.00 mm
Gross weight	26 kg	Volume	0,240 m <sup>3</sup>		
Min. quantity	6.00 m	Max. Quantity	6.00 m		

### Tender Text

Cable ladder acc. to DIN EN 61537, with continuously perforated and profiled side beams, with riveted rungs made of C-profiles with 11 mm slot width. Suitable U-clamps (BA... and BAK...).

Dimensions (approx. dimensions) H x W : 100 x 400 mm

Material thickness beam : 1.5 mm Rung

distance : 300 mm

Side beam perforation : 9 x 15 mm

Centre distance : 25 mm

Bottom perforation : Ø 8.5 mm Centre distance : 100 mm

Delivery length L : 6000 mm Transport length : 6000 mm + W

Usable cross-section : 33200 mm<sup>2</sup>

Material : Steel, hot-dip galvanised acc. to DIN EN ISO 1461

NIEDAX Model No. : KL 100.403 F

EP Material \_\_\_\_\_ EP Wage \_\_\_\_\_

# Technical Datasheet

## Cable Ladder System

KL 100.403 F

the photorealistic images are to be considered as reference images

### Tender Text

Unit price/meter

### Safety & Environment

REACH Date	25.06.2025
REACH Info	Conformable
RoHS Info	Conformable

### Origin & International Trade

Country of origin	DE
Federal State of Origin	RP
Customs tariff number	73089059

### Related items

#### Cover

Model No.	Description
RD 400 F	Cover for cable tray/-ladder, with joint strip, 402x3000 mm, steel, hot dip galvanised DIN EN ISO 1461
RDRS 9 F	Turning bolt with locking nut acc. to DIN EN ISO 10511, steel, hot dip galvanised DIN EN ISO 1461, incl. accessories
RDV 400 F	Cover for cable tray/-ladder, with joint strip, 402x3000 mm, steel, hot dip galvanised DIN EN ISO 1461

#### Barrier strip

Model No.	Description
KLWC 11 F	Barrier strip fastening clamp, for 11 mm slot width, steel, hot dip galvanised DIN EN ISO 1461, incl. accessories
RW 85 F	Barrier strip, 80x3000 mm, t=0,9 mm, steel, hot dip galvanised DIN EN ISO 1461, incl. accessories

#### Connector

Model No.	Description
KSV 100 F	Splice plate for cable ladder, height 100 mm, steel, hot dip galvanised DIN EN ISO 1461, incl. accessories