

Cable Ladder

rung spacing 300 mm, with continuously perforated side profiles, with riveted, upwardly open rungs made of C-profiles with 11 mm slot width

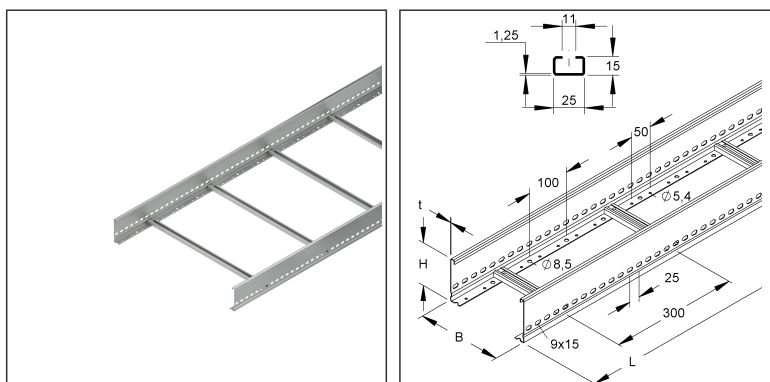
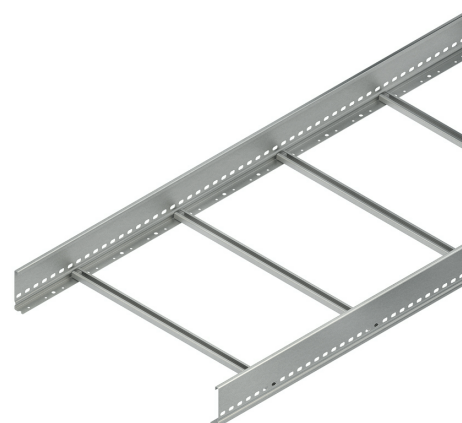
KL 100.603 F

EAN Code: 4013339904082

Smallest packaging unit: 6 m

quantity unit: m M

the photorealistic images are to be considered as reference images



Article Description

Cable ladder, 100x600x6000 mm, t=1,5 mm, perforated, steel, hot dip galvanised DIN EN ISO 1461

Additional Price Information

Article group	N13
quantity unit	m

Weight

Weight per quantity unit	4,739 kg / m
Weight in kg per 100	474 kg / 100m

Technical Datasheet

Cable Ladder System

KL 100.603 F

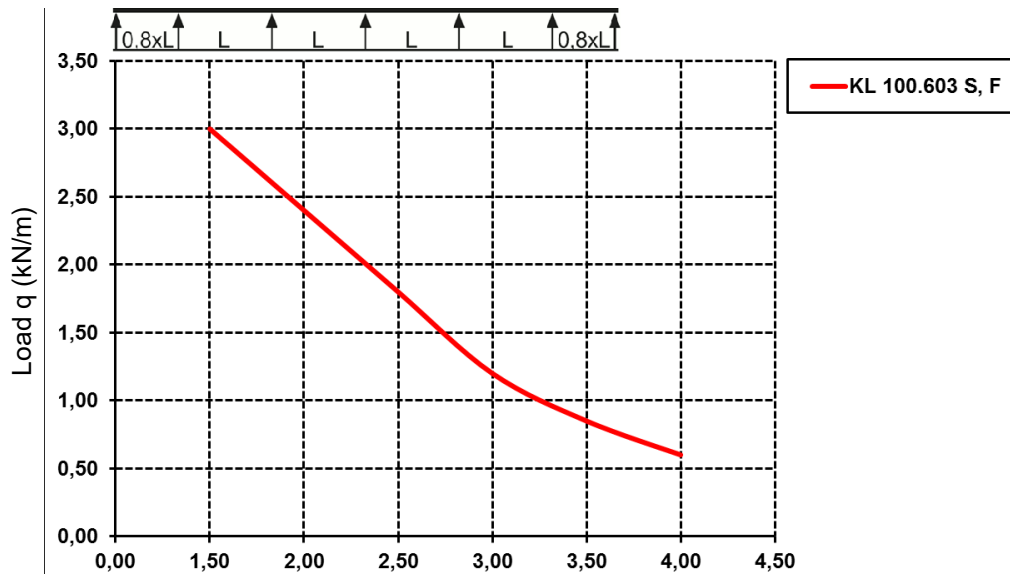
the photorealistic images are to be considered as reference images

Physical Article Dimensions

Height	100.00 mm
Width	600 mm
Depth/length	6000 mm

Load Specifications

Load diagram: q = evenly distributed cable load (tested acc. to DIN EN IEC 61537)



Fixing distance (m)

The load details shown in the diagram are independent of the position of the connectors.

Packing Dimension

6 meters = 1 piece		✓ VP1-smallest packaging unit (PU)	✓ VP1-preferred PU		
Lenght	6000 mm	Width	600 mm	Height	100.00 mm
Gross weight	28 kg	Volume	0,360 m ³		
Min. quantity	6.00 m	Max. Quantity	6.00 m		

Tender Text

Cable ladder acc. to DIN EN 61537, with continuously perforated and profiled side beams, with riveted rungs made of C-profiles with 11 mm slot width. Suitable U-clamps (BA... and BAK...).

Dimensions (approx. dimensions) H x W : 100 x 600 mm

Material thickness beam : 1.5 mm Rung

distance : 300 mm

Side beam perforation : 9 x 15 mm

Centre distance : 25 mm

Bottom perforation : Ø 8.5 mm Centre distance : 100 mm

Delivery length L : 6000 mm Transport length : 6000 mm + W

Usable cross-section : 49900 mm²

Material : Steel, hot-dip galvanised acc. to DIN EN ISO 1461

NIEDAX Model No. : KL 100.603 F

EP Material _____ EP Wage _____

Technical Datasheet

Cable Ladder System

KL 100.603 F

the photorealistic images are to be considered as reference images

Tender Text

Unit price/meter

Safety & Environment

REACH Date	25.06.2025
REACH Info	Conformable
RoHS Info	Conformable

Origin & International Trade

Country of origin	DE
Federal State of Origin	RP
Customs tariff number	73089059

Related items

Cover

Model No.	Description
RD 600 F	Cover for cable tray/-ladder, with joint strip, 602x3000 mm, steel, hot dip galvanised DIN EN ISO 1461
RDRS 9 F	Turning bolt with locking nut acc. to DIN EN ISO 10511, steel, hot dip galvanised DIN EN ISO 1461, incl. accessories
RDV 600 F	Cover for cable tray/-ladder, with joint strip, 602x3000 mm, steel, hot dip galvanised DIN EN ISO 1461

Barrier strip

Model No.	Description
KLWC 11 F	Barrier strip fastening clamp, for 11 mm slot width, steel, hot dip galvanised DIN EN ISO 1461, incl. accessories
RW 85 F	Barrier strip, 80x3000 mm, t=0,9 mm, steel, hot dip galvanised DIN EN ISO 1461, incl. accessories

Connector

Model No.	Description
KSV 100 F	Splice plate for cable ladder, height 100 mm, steel, hot dip galvanised DIN EN ISO 1461, incl. accessories