

### Cable Ladder

rung spacing 300 mm, with continuously perforated side profiles, with riveted, upwardly open rungs made of C-profiles with 11 mm slot width

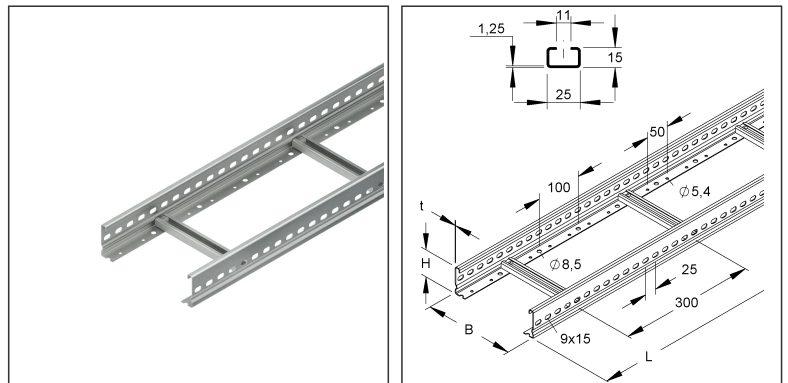
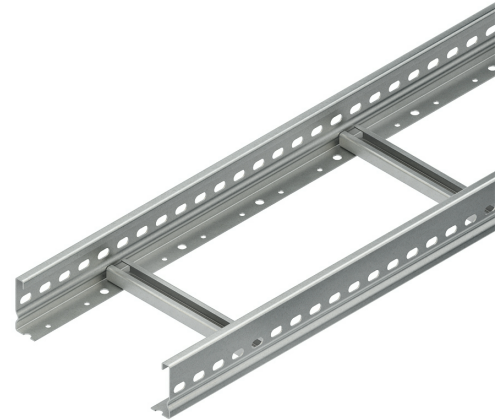
### KL 60.303 E5

EAN Code: 4013339730100

Smallest packaging unit: 6 m

quantity unit: m M

the photorealistic images are to be considered as reference images



### Article Description

Cable ladder, 60x300x6000 mm, t=1,5 mm, perforated, stainless steel, material code: 1.4571

### Additional Price Information

Article group	N13
quantity unit	m

### Weight

Weight per quantity unit	2,811 kg / m
Weight in kg per 100	281 kg / 100m

# Technical Datasheet

## Cable Ladder System

KL 60.303 E5

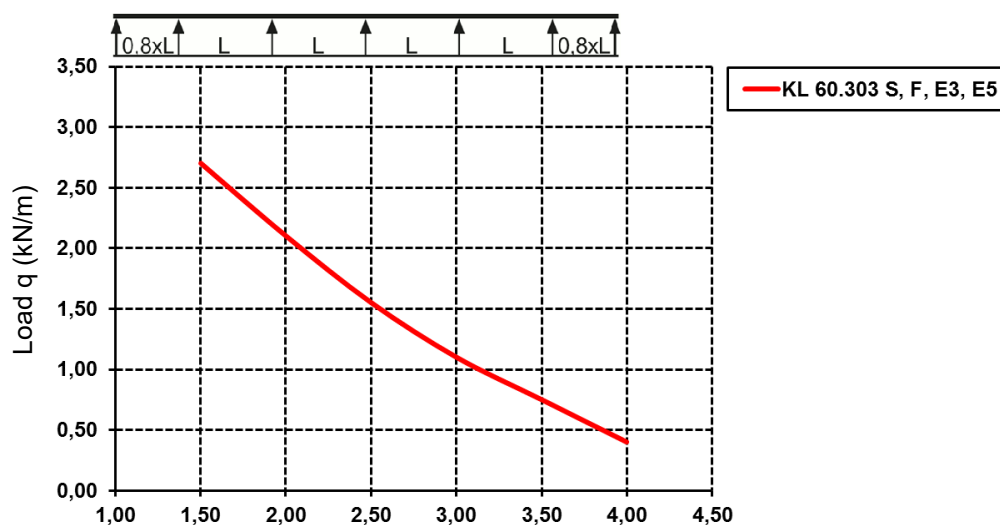
the photorealistic images are to be considered as reference images

### Physical Article Dimensions

Height	60.00 mm
Width	300 mm
Depth/length	6000 mm

### Load Specifications

Load diagram:  $q$  = evenly distributed cable load (tested acc. to DIN EN IEC 61537)



Fixing distance (m)

The load details shown in the diagram are independent of the position of the connectors.

### Packing Dimension

**6 meters = 1 piece**

✓ VP1-smallest packaging unit ( PU) ✓ VP1-preferred PU

Lenght	6000 mm	Width	300 mm	Height	60.00 mm
Gross weight	17 kg	Volume	0,108 m <sup>3</sup>		
Min. quantity	6.00 m	Max. Quantity	6.00 m		

### Tender Text

Cable ladder acc. to DIN EN 61537, with continuously perforated and profiled side beams, with riveted rungs made of C-profiles with 11 mm slot width.

Suitable U-clamps (BA...).

Dimensions (approx. dimensions)

H x W : 60 x 300 mm

Material thickness beam : 1.5 mm

Distance between rungs : 300 mm

Side beam perforation : 9 x 15 mm

centre distance : 25 mm

Bottom perforation : Ø 8.5 and Ø 5.4 mm

centre distance : 100 mm and 50 mm

Delivery length L : 6000 mm

Transport length : 6000 mm + W

Usable cross-section : 12850 mm<sup>2</sup>

Material : stainless steel, material no. 1.4571, AISI 316Ti

NIEDAX Model No. : KL 60.303 E5

# Technical Datasheet

## Cable Ladder System

KL 60.303 E5

the photorealistic images are to be considered as reference images

### Tender Text

EP Material \_\_\_\_\_ EP Wage \_\_\_\_\_  
Unit price/meter

### Safety & Environment

REACH Date	25.06.2025
REACH Info	Conformable
RoHS Info	Conformable

### Origin & International Trade

Country of origin	DE
Federal State of Origin	RP
Customs tariff number	73089059

### Related items

#### Cover

Model No.	Description
RDV 300 E5	Cover for cable tray/-ladder, with joint strip, 302x3000 mm, stainless steel, material code: 1.4571, AISI 316Ti

#### Barrier strip

Model No.	Description
RW 35 E5	Barrier strip, 30x3000 mm, t=0,8 mm, stainless steel, material code: 1.4571, AISI 316Ti, incl. accessories

#### Connector

Model No.	Description
KSV 60 E5	Splice plate for cable ladder, height 60 mm, stainless steel, mat. code: 1.4571, washed, incl. accessories