

Cable Ladder

rung spacing 300 mm, with continuously perforated side profiles, with riveted, upwardly open rungs made of C-profiles with 11 mm slot width

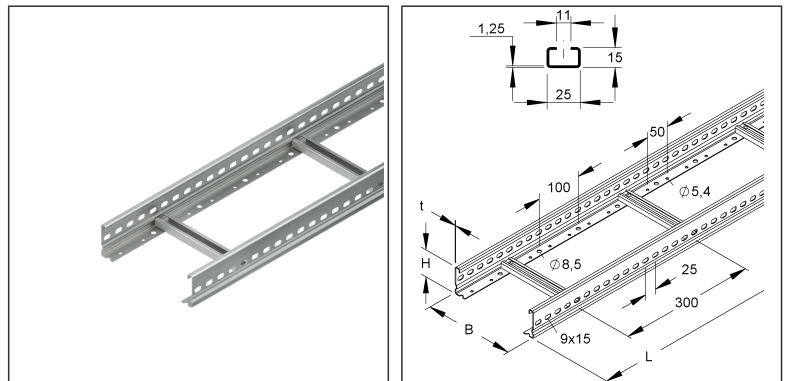
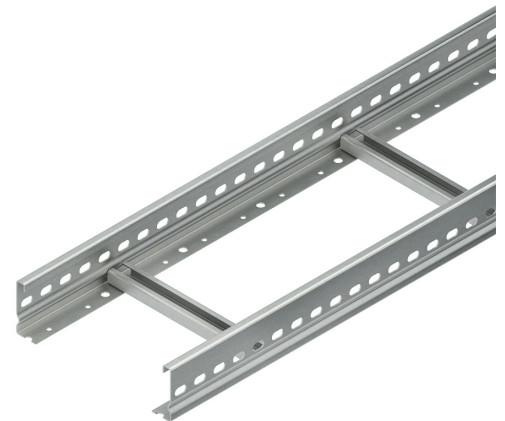
KL 60.303/3

EAN Code: 4013339914562

Smallest packaging unit: 3 m

quantity unit: m M

the photorealistic images are to be considered as reference images



Article Description

Cable ladder, 60x300x3000 mm, t=1,5 mm, perforated, steel, pre-galvanised according to DIN EN 10346

Additional Price Information

Article group	N13
quantity unit	m

Weight

Weight per quantity unit	2,765 kg / m
Weight in kg per 100	276 kg / 100m

Technical Datasheet

Cable Ladder System

KL 60.303/3

the photorealistic images are to be considered as reference images

Physical Article Dimensions

Height	60.00 mm
Width	300 mm
Depth/length	3000 mm

Packing Dimension

3 meters = 1 piece		✓ VP1-smallest packaging unit (PU)			
Lenght	3000 mm	Width	300 mm	Height	60.00 mm
Gross weight	8,29 kg	Volume	0,054 m ³		
Min. quantity	3.00 m	Max. Quantity	3.00 m		

Tender Text

Cable ladder acc. to DIN EN 61537, with continuously perforated and profiled side beams, with riveted rungs made of C-profiles with 11 mm slot width. Suitable U-clamps (BA... and BAK...).

Dimensions (approx. dimensions) H x W : 60 x 300 mm

Material thickness beam : 1.5 mm

Distance between rungs : 300 mm

Side beam perforation : 9 x 15 mm

Centre distance : 25 mm

Bottom perforation : Ø 8.5 and Ø 5.4 mm Centre distance : 100 mm and 50 mm

Delivery length L : 3000 mm Transport length : 3000 mm + B

Usable cross-section : 12850 mm²

Material : Steel, pre-galvanised acc. to DIN EN 10346

NIEDAX Model No. KL 60.303/3

EP Material _____ EP Wage _____

Unit price/meter

Safety & Environment

REACH Date	25.06.2025
REACH Info	Conformable
RoHS Info	Conformable

Origin & International Trade

Country of origin	DE
Federal State of Origin	RP
Customs tariff number	73089059

Technical Datasheet

Cable Ladder System

KL 60.303/3

the photorealistic images are to be considered as reference images

Related items

Cover

Model No.	Description
RD 300	Cover for cable tray/-ladder, with joint strip, 302x3000 mm, steel, pre-galvanised according to DIN EN 10346
RDRS 9	Turning bolt with locking nut acc. to DIN EN ISO 10511, steel, pre-galvanised according to DIN EN 10346, incl. accessories
RDV 300	Cover for cable tray/-ladder, with joint strip, 302x3000 mm, steel, pre-galvanised according to DIN EN 10346

Barrier strip

Model No.	Description
KLWC 11	Barrier strip fastening clamp, for 11 mm slot width, steel, pre-galvanised according to DIN EN 10346, incl. accessories
RW 35	Barrier strip, 30x3000 mm, t=0,75 mm, steel, pre-galvanised according to DIN EN 10346, incl. accessories

Connector

Model No.	Description
KSV 60 S	Splice plate for cable ladder, height 60 mm, steel, pre-galvanised according to DIN EN 10346, incl. accessories