

Cable Ladder

rung spacing 300 mm, with continuously perforated side profiles, with riveted, upwardly open rungs made of C-profiles with 11 mm slot width

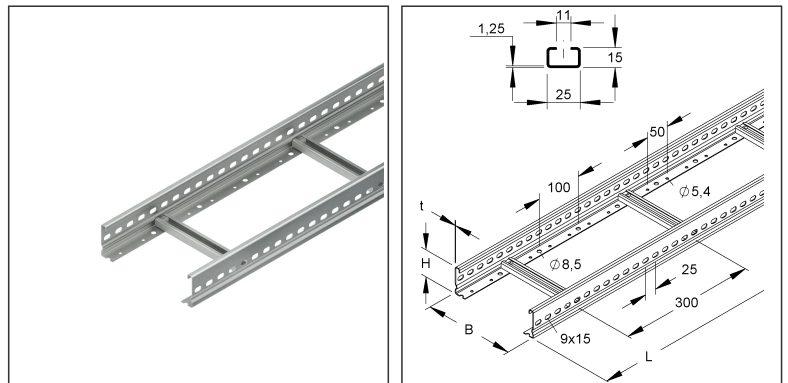
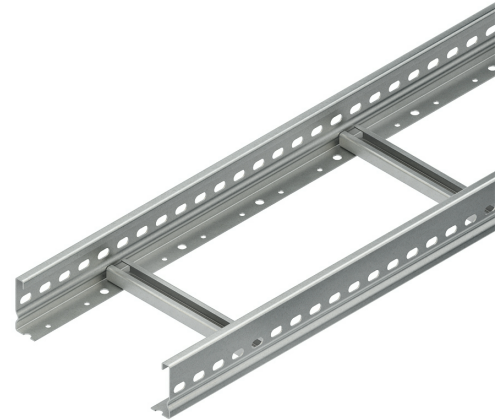
KL 60.403 E3

EAN Code: 4013339340903

Smallest packaging unit: 6 m

quantity unit: m M

the photorealistic images are to be considered as reference images



Article Description

Cable ladder, 60x400x6000 mm, t=1,5 mm, perforated, stainless steel, material code: 1.4301, AISI 304

Additional Price Information

| | |
|---------------|-----|
| Article group | N13 |
| quantity unit | m |

Weight

| | |
|--------------------------|---------------|
| Weight per quantity unit | 2,981 kg / m |
| Weight in kg per 100 | 298 kg / 100m |

Technical Datasheet

Cable Ladder System

KL 60.403 E3

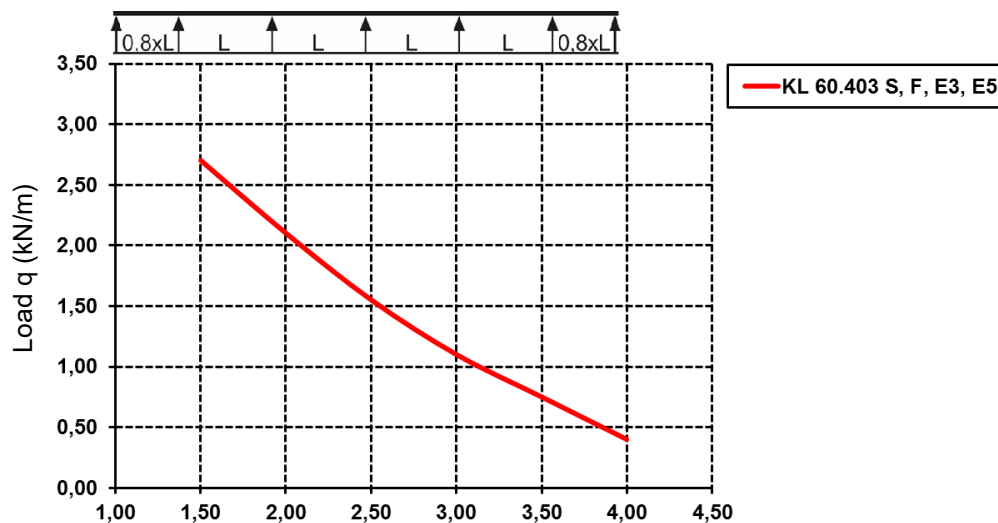
the photorealistic images are to be considered as reference images

Physical Article Dimensions

| | |
|--------------|----------|
| Height | 60.00 mm |
| Width | 400 mm |
| Depth/length | 6000 mm |

Load Specifications

Load diagram: q = evenly distributed cable load (tested acc. to DIN EN IEC 61537)



Fixing distance (m)

The load details shown in the diagram are independent of the position of the connectors.

Packing Dimension

| | | | | | |
|---------------------------|---------|-------------------------------------|----------------------|--------|----------|
| 6 meters = 1 piece | | ✓ VP1-smallest packaging unit (PU) | ✓ VP1-preferred PU | | |
| Lenght | 6000 mm | Width | 400 mm | Height | 60.00 mm |
| Gross weight | 18 kg | Volume | 0,144 m ³ | | |
| Min. quantity | 6.00 m | Max. Quantity | 6.00 m | | |

Tender Text

Cable ladder acc. to DIN EN 61537, with continuously perforated and profiled side beams, with riveted rungs made of C-profiles with 11 mm slot width.

Suitable U-clamps (BA...).

Dimensions (approx. dimensions)

Height H x width W : 60 x 400 mm

Material thickness beam : 1.5 mm

Distance between rungs : 300 mm

Side beam perforation : 9 x 15 mm

Centre distance : 25 mm

Bottom perforation : Ø 8.5 and Ø 5.4 mm

Centre distance : 100 mm and 50 mm

Delivery length L : 6000 mm

Transport length : 6000 mm + W

Usable cross-section : 17200 mm²

Material : stainless steel, material no. 1.4301, AISI 304

NIEDAX Model No. : KL 60.403 E3

Technical Datasheet

Cable Ladder System

KL 60.403 E3

the photorealistic images are to be considered as reference images

Tender Text

EP Material _____ EP Wage _____
Unit price/meter

Safety & Environment

| | |
|------------|-------------|
| REACH Date | 25.06.2025 |
| REACH Info | Conformable |
| RoHS Info | Conformable |

Origin & International Trade

| | |
|-------------------------|----------|
| Country of origin | DE |
| Federal State of Origin | RP |
| Customs tariff number | 73089059 |

Related items

Cover

| Model No. | Description |
|------------|---|
| RD 400 E3 | Cover for cable tray/-ladder, with joint strip, 402x3000 mm, stainless steel, material code: 1.4301, AISI 304 |
| RDRS 9 E3 | Turning bolt with locking nut acc. to DIN EN ISO 10511, stainless steel, material code: 1.4301, AISI 304, incl. accessories |
| RDV 400 E3 | Cover for cable tray/-ladder, with joint strip, 402x3000 mm, stainless steel, material code: 1.4301, AISI 304 |

Barrier strip

| Model No. | Description |
|------------|--|
| KLWC 11 E3 | Barrier strip fastening clamp, for 11 mm slot width, stainless steel, material code: 1.4301, AISI 304, incl. accessories |
| RW 35 E3 | Barrier strip, 30x3000 mm, t=0,8 mm, stainless steel, material code: 1.4301, AISI 304, incl. accessories |

Connector

| Model No. | Description |
|-----------|--|
| KSV 60 E3 | Splice plate for cable ladder, height 60 mm, stainless steel, mat. code: 1.4301, AISI 304, washed, incl. accessories |