

Cable Ladder

rung spacing 300 mm, with continuously perforated side profiles, with riveted, upwardly open rungs made of C-profiles with 11 mm slot width

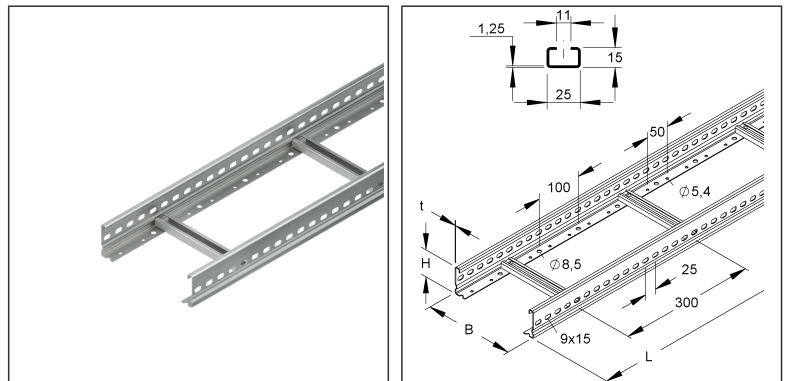
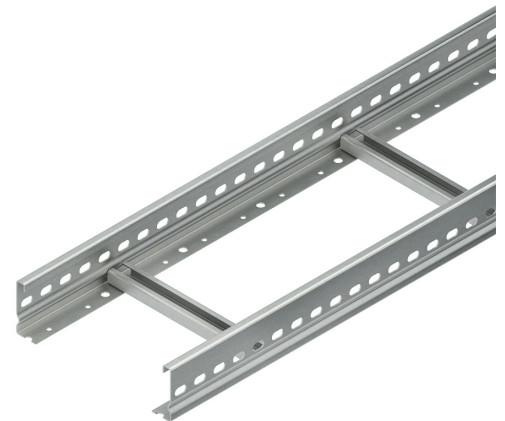
KL 60.403 F

EAN Code: 4013339570102

Smallest packaging unit: 6 m

quantity unit: m M

the photorealistic images are to be considered as reference images



Article Description

Cable ladder, 60x400x6000 mm, t=1,5 mm, perforated, steel, hot dip galvanised DIN EN ISO 1461

Additional Price Information

Article group	N13
quantity unit	m

Weight

Weight per quantity unit	3,269 kg / m
Weight in kg per 100	327 kg / 100m

Technical Datasheet

Cable Ladder System

KL 60.403 F

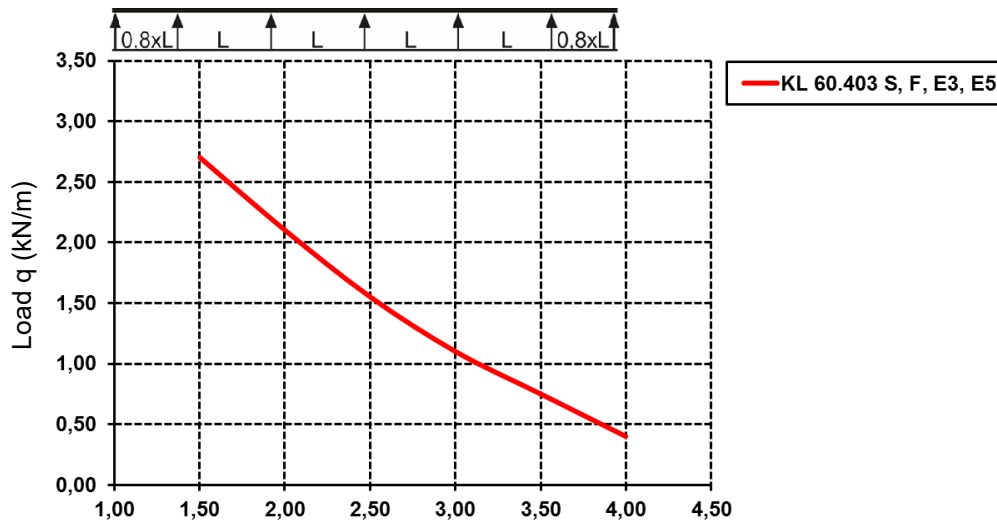
the photorealistic images are to be considered as reference images

Physical Article Dimensions

Height	60.00 mm
Width	400 mm
Depth/length	6000 mm

Load Specifications

Load diagram: q = evenly distributed cable load (tested acc. to DIN EN IEC 61537)



Fixing distance (m)

The load details shown in the diagram are independent of the position of the connectors.

Packing Dimension

6 meters = 1 piece		✓ VP1-smallest packaging unit (PU)	✓ VP1-preferred PU		
Lenght	6000 mm	Width	400 mm	Height	60.00 mm
Gross weight	20 kg	Volume	0,144 m ³		
Min. quantity	6.00 m	Max. Quantity	6.00 m		

Tender Text

Cable ladder acc. to DIN EN 61537, with continuously perforated and profiled side beams, with riveted rungs made of C-profiles with 11 mm slot width. Suitable U-clamps (BA... and BAK...).

Dimensions (approx. dimensions) H x W : 60 x 400 mm

Material thickness beam : 1.5 mm

Distance between rungs : 300 mm

Side beam perforation : 9 x 15 mm

Centre

distance : 25 mm

Bottom perforation : Ø 8.5 mm Centre distance : 100 mm

Delivery length L : 6000 mm Transport length : 6000 mm + W

Usable cross-section : 17200 mm²

Material : Steel, hot-dip galvanised acc. to DIN EN ISO 1461

NIEDAX Model No. : KL 60.403 F

EP Material _____ EP Wage _____

Unit price/meter

Technical Datasheet

Cable Ladder System

KL 60.403 F

the photorealistic images are to be considered as reference images

Safety & Environment

REACH Date	25.06.2025
REACH Info	Conformable
RoHS Info	Conformable

Origin & International Trade

Country of origin	DE
Federal State of Origin	RP
Customs tariff number	73089059

Related items

Cover

Model No.	Description
RD 400 F	Cover for cable tray/-ladder, with joint strip, 402x3000 mm, steel, hot dip galvanised DIN EN ISO 1461
RDRS 9 F	Turning bolt with locking nut acc. to DIN EN ISO 10511, steel, hot dip galvanised DIN EN ISO 1461, incl. accessories
RDV 400 F	Cover for cable tray/-ladder, with joint strip, 402x3000 mm, steel, hot dip galvanised DIN EN ISO 1461

Barrier strip

Model No.	Description
KLWC 11 F	Barrier strip fastening clamp, for 11 mm slot width, steel, hot dip galvanised DIN EN ISO 1461, incl. accessories
RW 35 F	Barrier strip, 30x3000 mm, t=0,75 mm, steel, hot dip galvanised DIN EN ISO 1461, incl. accessories

Connector

Model No.	Description
KSV 60 F	Splice plate for cable ladder, height 60 mm, steel, hot dip galvanised DIN EN ISO 1461, incl. accessories