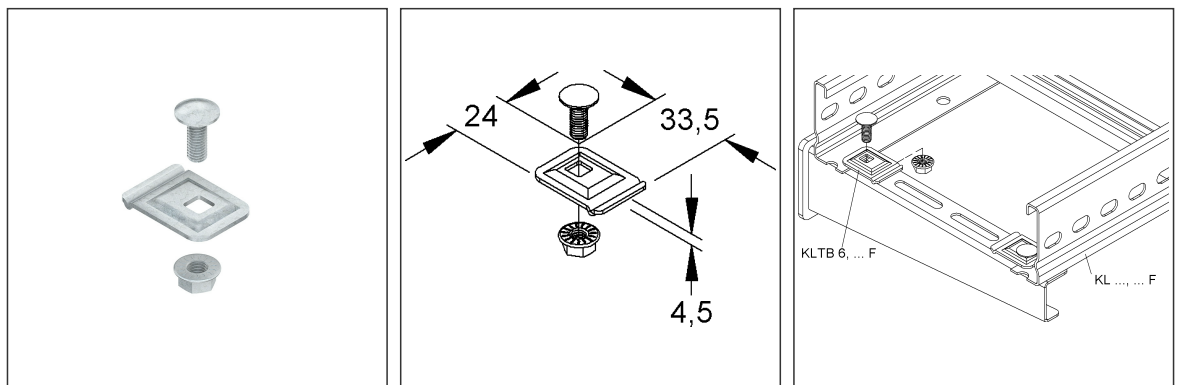
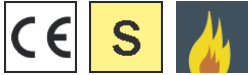


Cable Ladder Fastening

KLTB 6

EAN Code: 4013339282708
 Smallest packaging unit: 50 pcs.

the photorealistic images are to be considered as reference images



Article Description

Cable ladder fastening, steel, pre-galvanised according to DIN EN 10346, incl. accessories

Incl. accessories

1 FLM 6X16 F

Additional Price Information

Article group	N13
quantity unit	pcs.

Weight

Weight per quantity unit	22 g / pcs.
Weight in kg per 100	2,13 kg / 100pcs.

Technical Datasheet

Cable Ladder System

KLTB 6

the photorealistic images are to be considered as reference images

Physical Article Dimensions

Height	4.50 mm
Width	24.00 mm
Depth/length	33.50 mm

Packing Dimension

50 pieces = 1		✓ VP1-smallest packaging unit (PU)		✓ VP1-preferred PU	
Lenght	138.00 mm	Width	96.00 mm	Height	71.00 mm
Gross weight	1,12 kg	Volume	0,001 m ³		
Min. quantity	50.00 pcs.	Max. Quantity	50.00 pcs.		
10800 pieces = 1					
Lenght	750 mm	Width	750 mm	Height	730 mm
Gross weight	283 kg	Volume	0,411 m ³		
Min. Quantity	10.800.00 pcs.	Max. Quantity	10.800.00 pcs.		

Tender Text

Cable ladder fastening, for fastening cable ladders on brackets, including proportional fastening accessories in hot-dip galvanised. Please observe additional regulations for use in functional maintenance!
Requirement : 2 pieces per bracket
Material : steel, pre-galvanised acc. to DIN EN 10346
NIEDAX Model No. : KLTB 6
EP Material _____ EP Lohn _____
Unit price/piece

Safety & Environment

REACH Date	25.06.2025
REACH Info	Conformable
RoHS Info	Conformable

Origin & International Trade

Country of origin	DE
Customs tariff number	73089059