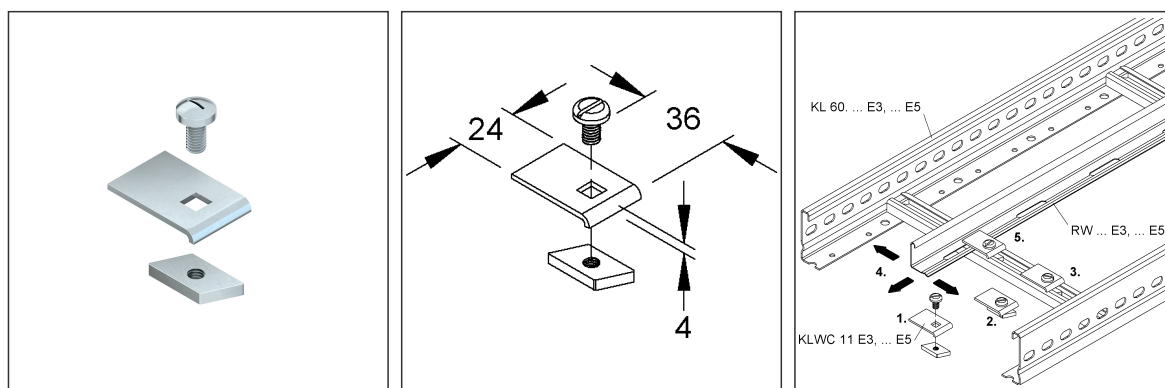
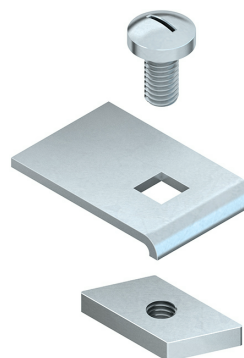


Barrier Strip Fastening Clamp

KLWC 11 E3

EAN Code: 4013339341627
 Smallest packaging unit: 50 pcs.

the photorealistic images are to be considered as reference images



Article Description

Barrier strip fastening clamp, for 11 mm slot width, stainless steel, material code: 1.4301, AISI 304, incl. accessories

Incl. accessories

1 FK 6X10 E3, GSM 306 E3

Additional Price Information

Article group	N13
quantity unit	pcs.

Weight

Weight per quantity unit	27 g / pcs.
Weight in kg per 100	2,61 kg / 100pcs.

Technical Datasheet

Cable Ladder System

KLWC 11 E3

the photorealistic images are to be considered as reference images

Physical Article Dimensions

Height	15.00 mm
Width	24.00 mm
Depth/length	36.00 mm

Packing Dimension

50 pieces = 1		✓ VP1-smallest packaging unit (PU)		✓ VP1-preferred PU	
Lenght	138.00 mm	Width	96.00 mm	Height	71.00 mm
Gross weight	1,36 kg	Volume	0,001 m ³		
Min. quantity	50.00 pcs.	Max. Quantity	50.00 pcs.		
7200 pieces = 1					
Lenght	750 mm	Width	750 mm	Height	730 mm
Gross weight	236 kg	Volume	0,411 m ³		
Min. Quantity	7.200.00 pcs.	Max. Quantity	7.200.00 pcs.		

Tender Text

Barrier fastening clamp, for fastening barrier strips on cable ladders with rungs of 11 mm slot width, including sliding nut GSM 306 E3 and flat head screw with slot FK 6X10 E3 made of stainless steel.
Can be used at any point in the profile slot.
Used for : barrier strip RW...
Material : Stainless steel, material no. 1.4301, AISI 304
NIEDAX Model no. : KLWC 11 E3
EP Material_____ EP Wage_____
Unit price/piece

Safety & Environment

REACH Date	25.06.2025
REACH Info	Conformable
RoHS Info	Conformable

Origin & International Trade

Country of origin	DE
Federal State of Origin	RP
Customs tariff number	73089059