

### Elbow, adjustable

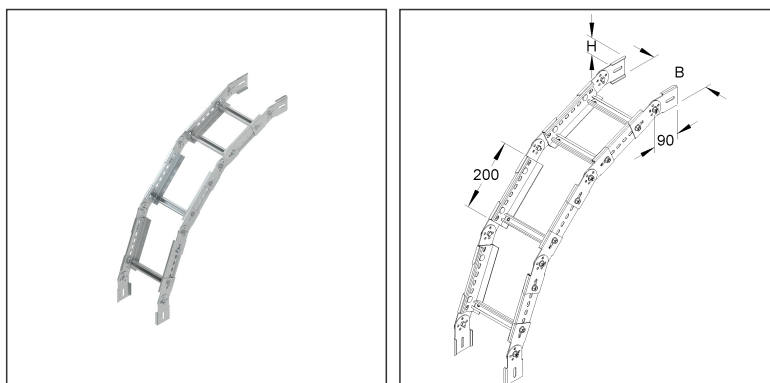
vertical

### KGS 60.403 F

EAN Code: 4013339574308

Smallest packaging unit: 1 pc.

the photorealistic images are to be considered as reference images



### Article Description

Elbow for cable ladder, adjustable, vertical, 60x400 mm, steel, hot dip galvanised DIN EN ISO 1461, incl. accessories

### Incl. accessories

1 piece = 1 piece

✓ lowest delivery unit

– preferred delivery unit

Model No.	Description	quantity
KGV 60 F	Joint connector for cable ladder, vertical, height 60 mm, steel, hot dip galvanised DIN EN ISO 1461, incl. accessories	8 pcs.

### Additional Price Information

Article group	N13
quantity unit	pcs.

# Technical Datasheet

## Cable Ladder System

KGS 60.403 F

the photorealistic images are to be considered as reference images

### Weight

Weight per quantity unit	4,814 kg/ pcs.
Weight in kg per 100	481 kg/ 100pcs.

### Physical Article Dimensions

Height	65.00 mm
Width	400 mm
Depth/length	

### Packing Dimension

<b>1 piece = 1 piece</b>		✓ VP1-smallest packaging unit ( PU)			
Lenght	950 mm	Width	400 mm	Height	65.00 mm
Gross weight	4,81 kg	Volume	0,025 m <sup>3</sup>		
Min. quantity	1.00 pcs.	Max. Quantity	1.00 pcs.		

### Tender Text

Elbow, adjustable, vertical, with continuously perforated and profiled side beams, with riveted rungs made of C-profiles with 11 mm slot width, for cable ladders, for rising and falling cable ladder assembly, including proportional adjustable splice plates KGV 60... and proportional fastening accessories in hot-dip galvanised. You will find suitable U-clamps (BA... and BAK...) in the KI catalogue.

for cable ladder : KL 60...

Delivery : unassembled

Dimensions (approx. dimensions)

H x W : 60 x 400 mm

Material : Steel, hot-dip galvanised acc. to DIN EN ISO 1461

NIEDAX Model No. : KGS 60.403 F

EP Material\_\_\_\_\_ EP Wage\_\_\_\_\_

Unit price/piece

### Safety & Environment

REACH Date	25.06.2025
REACH Info	Conformable
RoHS Info	Conformable

### Origin & International Trade

Country of origin	DE
Federal State of Origin	RP
Customs tariff number	73089059