

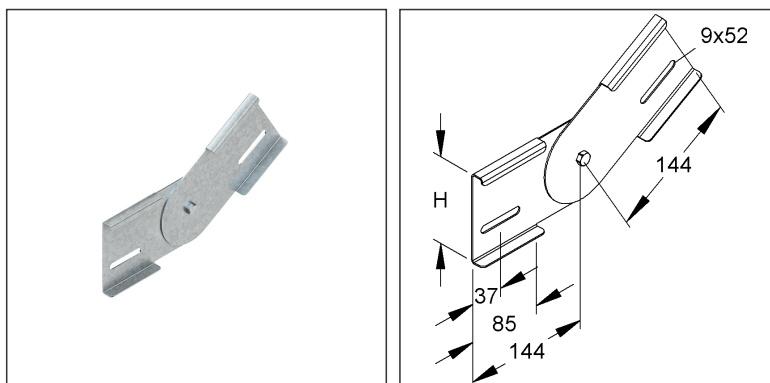
### Joint Connector

vertical

### KGV 100 F

EAN Code: 4013339906789  
 Smallest packaging unit: 10 pcs.

the photorealistic images are to be considered as reference images



### Article Description

Joint connector for cable ladder, vertical, height 100 mm, steel, hot dip galvanised DIN EN ISO 1461, incl. accessories

### Incl. accessories

2 FLM 8X13 F

### Additional Price Information

Article group	N13
quantity unit	pcs.

### Weight

Weight per quantity unit	582 g / pcs.
Weight in kg per 100	58 kg / 100pcs.

# Technical Datasheet

## Cable Ladder System

### KGV 100 F

the photorealistic images are to be considered as reference images

#### Physical Article Dimensions

Height	103.50 mm
Width	29.50 mm
Depth/length	287.50 mm

#### Packing Dimension

<b>10 pieces = 1 carton</b>		✓ VP1-smallest packaging unit ( PU)	✓ VP1-preferred PU		
Lenght	350 mm	Width	180.00 mm	Height	110.00 mm
Gross weight	6,14 kg	Volume	0,007 m <sup>3</sup>		
Min. quantity	10.00 pcs.	Max. Quantity	10.00 pcs.		

<b>320 pieces = 1</b>					
Lenght	750 mm	Width	750 mm	Height	730 mm
Gross weight	236 kg	Volume	0,411 m <sup>3</sup>		
Min. Quantity	320.00 pcs.	Max. Quantity	320.00 pcs.		

#### Tender Text

Joint connector, vertical, for creating vertical angle connections of continuous cable ladders, including proportional fastening accessories in hot-dip galvanised. The equipotential bonding is carried out by screwing to the cable ladder and fitting beams.

for cable ladder : KL 100...

Requirement : 2 pieces per joint

for dimensions (approx. dimensions)

Height H : 100 mm

Material : Steel, hot-dip galvanised to DIN EN ISO 1461

NIEDAX Model No. : KGV 100 F

EP Material\_\_\_\_\_ EP Wage\_\_\_\_\_

Unit price/pair

#### Safety & Environment

REACH Date	25.06.2025
REACH Info	Conformable
RoHS Info	Conformable

#### Origin & International Trade

Country of origin	DE
Federal State of Origin	RP
Customs tariff number	73089059