

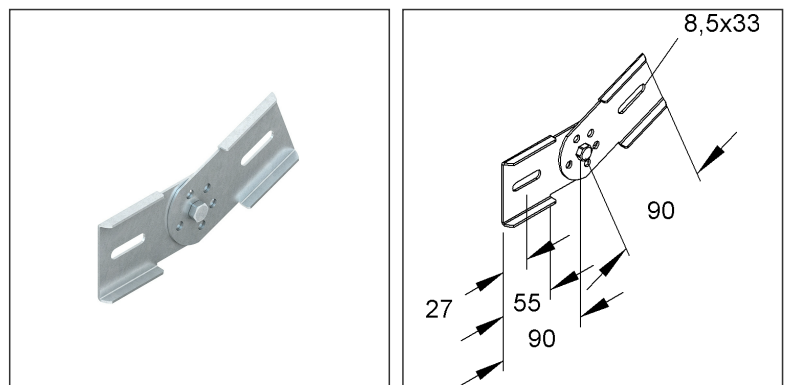
**Joint Connector**

vertical

**KGV 60 E3**

EAN Code: 4013339341856  
Smallest packaging unit: 10 pcs.

the photorealistic images are to be considered as reference images



**Article Description**

Joint connector for cable ladder, vertical, height 60 mm, stainless steel, material code: 1.4301, AISI 304, incl. accessories

**Incl. accessories**

2 FLM 8X16 E3

**Additional Price Information**

Article group	N13
quantity unit	pcs.

**Weight**

Weight per quantity unit	273 g / pcs.
Weight in kg per 100	27 kg / 100pcs.

# Technical Datasheet

## Cable Ladder System

KGV 60 E3

the photorealistic images are to be considered as reference images

### Physical Article Dimensions

Height	64.50 mm
Width	23.60 mm
Depth/length	180.00 mm

### Packing Dimension

<b>10 pieces = 1 carton</b>		✓ VP1-smallest packaging unit ( PU)		✓ VP1-preferred PU	
Lenght	210 mm	Width	150.00 mm	Height	100.00 mm
Gross weight	2,91 kg	Volume	0,003 m <sup>3</sup>		
Min. quantity	10.00 pcs.	Max. Quantity	10.00 pcs.		

<b>650 pieces = 1</b>					
Lenght	750 mm	Width	750 mm	Height	730 mm
Gross weight	229 kg	Volume	0,411 m <sup>3</sup>		
Min. Quantity	650.00 pcs.	Max. Quantity	650.00 pcs.		

### Tender Text

Joint connector, vertical, for creating vertical angle connections of continuous cable ladders, including proportional fastening accessories made of stainless steel. The equipotential bonding is carried out by screwing to the cable ladder and fitting beams.

for cable ladder : KL 60...

Requirement : 2 pieces per joint

for dimensions (approx. dimensions)

Height H : 60 mm

Material : stainless steel, material no. 1.4301, 1.4303

NIEDAX model no. : KGV 60 E3

EP Material\_\_\_\_\_ EP Wage\_\_\_\_\_

Unit price/pair

### Safety & Environment

REACH Date	25.06.2025
REACH Info	Conformable
RoHS Info	Conformable

### Origin & International Trade

Country of origin	DE
Federal State of Origin	RP
Customs tariff number	73089059