

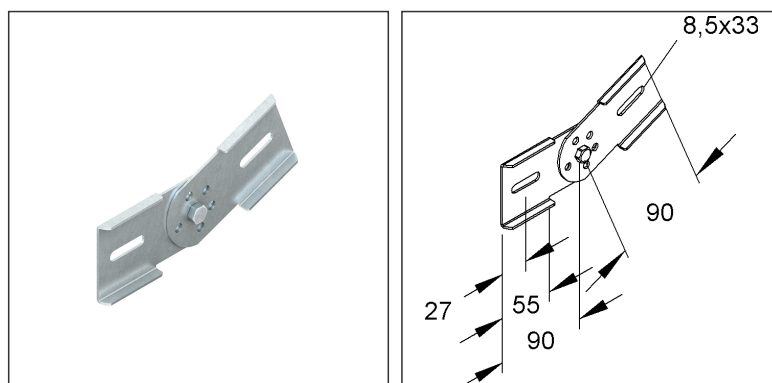
Joint Connector

vertical

KGV 60 E5

EAN Code: 4013339730353
 Smallest packaging unit: 10 pcs.

the photorealistic images are to be considered as reference images



Article Description

Joint connector for cable ladder, vertical, height 60 mm, stainless steel, material code: 1.4571, incl. accessories

Incl. accessories

2 SKM 8X16 E5

Additional Price Information

Article group	N13
quantity unit	pcs.

Weight

Weight per quantity unit	269 g / pcs.
Weight in kg per 100	27 kg / 100pcs.

Technical Datasheet

Cable Ladder System

KGV 60 E5

the photorealistic images are to be considered as reference images

Physical Article Dimensions

Height	64.50 mm
Width	23.60 mm
Depth/length	180.00 mm

Packing Dimension

10 pieces = 1 carton		✓ VP1-smallest packaging unit (PU)	✓ VP1-preferred PU		
Lenght	210 mm	Width	150.00 mm	Height	100.00 mm
Gross weight	2,88 kg	Volume	0,003 m ³		
Min. quantity	10.00 pcs.	Max. Quantity	10.00 pcs.		

650 pieces = 1					
Lenght	750 mm	Width	750 mm	Height	730 mm
Gross weight	227 kg	Volume	0,411 m ³		
Min. Quantity	650.00 pcs.	Max. Quantity	650.00 pcs.		

Tender Text

Joint connector, vertical, for creating vertical angle connections of continuous cable ladders, including proportional fastening accessories made of stainless steel. The equipotential bonding is achieved by screwing the cable ladder and fitting beams.

for cable ladder : KL 60...

Requirement : 2 pieces per joint

for dimensions (approx. dimensions)

Height H : 60 mm

Material : stainless steel, material no. 1.4571, AISI 316Ti

NIEDAX model no. : KGV 60 E5

EP Material_____ EP Wage_____

Unit price/pair

Safety & Environment

REACH Date	25.06.2025
REACH Info	Conformable
RoHS Info	Conformable

Origin & International Trade

Country of origin	DE
Federal State of Origin	RP
Customs tariff number	73089059