

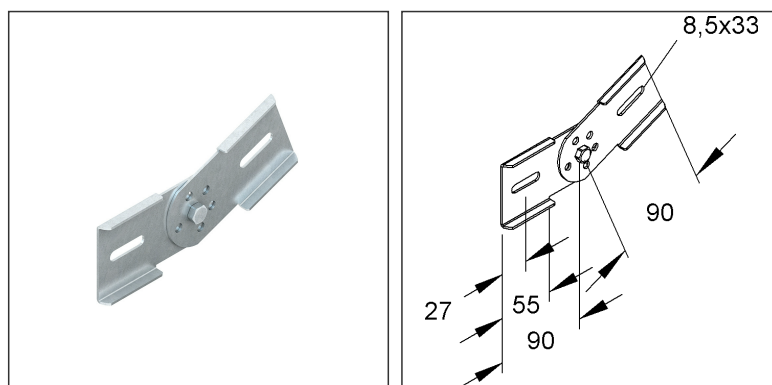
Joint Connector

vertical

KGV 60 S

EAN Code: 4013339289929
 Smallest packaging unit: 10 pcs.

the photorealistic images are to be considered as reference images



Article Description

Joint connector for cable ladder, vertical, height 60 mm, steel, pre-galvanised according to DIN EN 10346, incl. accessories

Incl. accessories

2 FLM 8X13 F

Additional Price Information

Article group	N13
quantity unit	pcs.

Weight

Weight per quantity unit	269 g / pcs.
Weight in kg per 100	27 kg / 100pcs.

Technical Datasheet

Cable Ladder System

KGV 60 S

the photorealistic images are to be considered as reference images

Physical Article Dimensions

Height	64.50 mm
Width	23.60 mm
Depth/length	180.00 mm

Packing Dimension

10 pieces = 1 carton		✓ VP1-smallest packaging unit (PU)	✓ VP1-preferred PU		
Lenght	210 mm	Width	150.00 mm	Height	100.00 mm
Gross weight	2,88 kg	Volume	0,003 m ³		
Min. quantity	10.00 pcs.	Max. Quantity	10.00 pcs.		

650 pieces = 1					
Lenght	750 mm	Width	750 mm	Height	730 mm
Gross weight	227 kg	Volume	0,411 m ³		
Min. Quantity	650.00 pcs.	Max. Quantity	650.00 pcs.		

Tender Text

Joint connector, vertical, for creating vertical angle connections of continuous cable ladders, including proportional fastening accessories in hot-dip galvanised. The equipotential bonding is carried out by screwing to the cable ladder and fitting beams.

for cable ladder : KL 60...

Requirement : 2 pieces per joint

for dimensions (approx. dimensions)

Height H : 60 mm

Material : Steel, pre-galvanised acc. to DIN EN 10346

NIEDAX Model No. : KGV 60 S

EP Material_____ EP Wage_____

Unit price/pair

Safety & Environment

REACH Date	25.06.2025
REACH Info	Conformable
RoHS Info	Conformable

Origin & International Trade

Country of origin	DE
Federal State of Origin	RP
Customs tariff number	73089059