

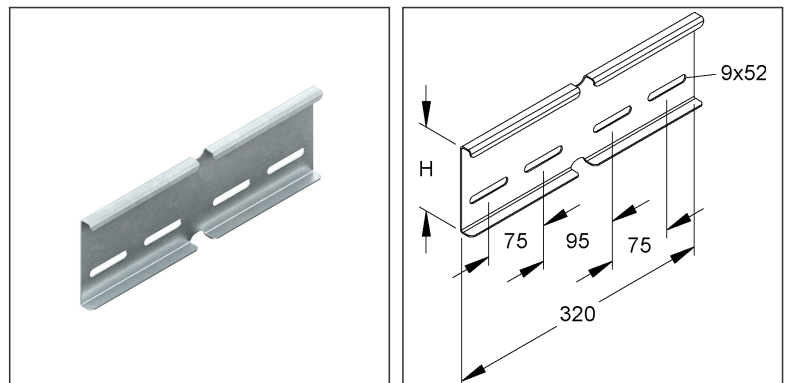
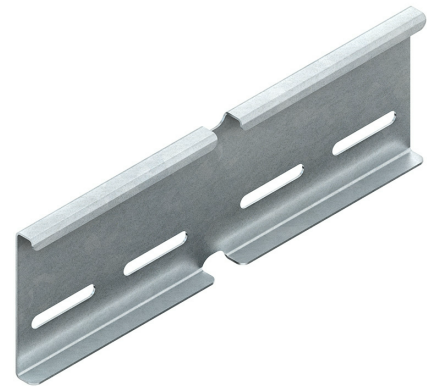
Angle Connector

horizontal

KWV 100 F

EAN Code: 4013339906802
 Smallest packaging unit: 10 pcs.

the photorealistic images are to be considered as reference images



Article Description

Angle connector for cable ladder, horizontal, height 100 mm, steel, hot dip galvanised DIN EN ISO 1461, incl. accessories

Incl. accessories

4 FLM 8X13 F

Additional Price Information

Article group	N13
quantity unit	pcs.

Weight

Weight per quantity unit	596 g / pcs.
Weight in kg per 100	60 kg / 100pcs.

Technical Datasheet

Cable Ladder System

KWV 100 F

the photorealistic images are to be considered as reference images

Physical Article Dimensions

Height	103.50 mm
Width	15.00 mm
Depth/length	320 mm

Packing Dimension

10 pieces = 1 carton		✓ VP1-smallest packaging unit (PU)	✓ VP1-preferred PU		
Lenght	350 mm	Width	180.00 mm	Height	110.00 mm
Gross weight	6,28 kg	Volume	0,007 m ³		
Min. quantity	10.00 pcs.	Max. Quantity	10.00 pcs.		
600 pieces = 1 pallet					
Lenght	1200 mm	Width	800 mm	Height	1000 mm
Gross weight	392 kg	Volume	0,960 m ³		
Min. Quantity	600.00 pcs.	Max. Quantity	600.00 pcs.		

Tender Text

Angle connector, horizontal, for a form-fit, longitudinally aligned connection of cable ladders and fittings, including proportional fastening accessories in hot-dip galvanised. The equipotential bonding is achieved by screwing the cable ladder and fitting beams.
for cable ladder : KL 100...
Requirement : 2 pieces per joint
Dimensions (approx. dimensions)
H x L : 100 x 320 mm
Material : steel, hot-dip galvanised acc. to DIN EN ISO 1461
NIEDAX Model No. : KWV 100 F
EP Material_____ EP Lohn_____
Unit price/piece

Safety & Environment

REACH Date	25.06.2025
REACH Info	Conformable
RoHS Info	Conformable

Origin & International Trade

Country of origin	DE
Customs tariff number	73089059