

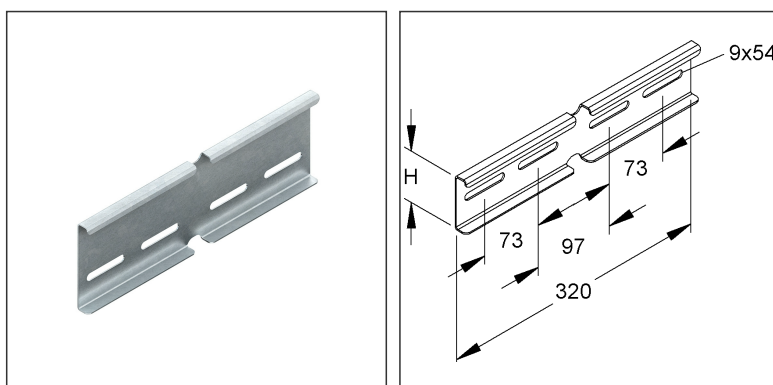
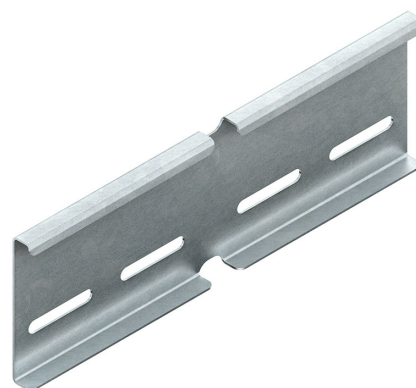
### Angle Connector

horizontal

KWV 60 E3

EAN Code: 4013339341955  
Smallest packaging unit: 20 pcs.

the photorealistic images are to be considered as reference images



#### Article Description

Angle connector for cable ladder, horizontal, height 60 mm, stainless steel, material code: 1.4301, AISI 304, incl. accessories

#### Incl. accessories

4 FLM 8X16 E3

#### Additional Price Information

Article group	N13
quantity unit	pcs.

#### Weight

Weight per quantity unit	403 g / pcs.
Weight in kg per 100	40 kg / 100pcs.

# Technical Datasheet

## Cable Ladder System

KWV 60 E3

the photorealistic images are to be considered as reference images

### Physical Article Dimensions

Height	63.50 mm
Width	15.00 mm
Depth/length	320 mm

### Packing Dimension

<b>20 pieces = 1 carton</b>		✓ VP1-smallest packaging unit ( PU)	✓ VP1-preferred PU		
Lenght	350 mm	Width	180.00 mm	Height	110.00 mm
Gross weight	8,37 kg	Volume	0,007 m <sup>3</sup>		
Min. quantity	20.00 pcs.	Max. Quantity	20.00 pcs.		
<b>480 pieces = 1</b>					
Lenght	750 mm	Width	750 mm	Height	730 mm
Gross weight	241 kg	Volume	0,411 m <sup>3</sup>		
Min. Quantity	480.00 pcs.	Max. Quantity	480.00 pcs.		

### Tender Text

Angle connector, horizontal, for a form-fit, longitudinally aligned connection of cable ladders and fittings, including proportional fastening accessories made of stainless steel. The equipotential bonding is achieved by screwing the cable ladder and fitting beams.  
for cable ladder : KL 60...  
Requirement : 2 pieces per joint  
Dimensions (approx. dimensions)  
H x L : 60 x 320 mm  
Material : stainless steel, material no. 1.4301, 1.4303  
NIEDAX Model no. : KWV 60 E3  
EP Material\_\_\_\_\_ EP Lohn\_\_\_\_\_  
Unit price/piece

### Safety & Environment

REACH Date	25.06.2025
REACH Info	Conformable
RoHS Info	Conformable

### Origin & International Trade

Country of origin	DE
Customs tariff number	73089059