

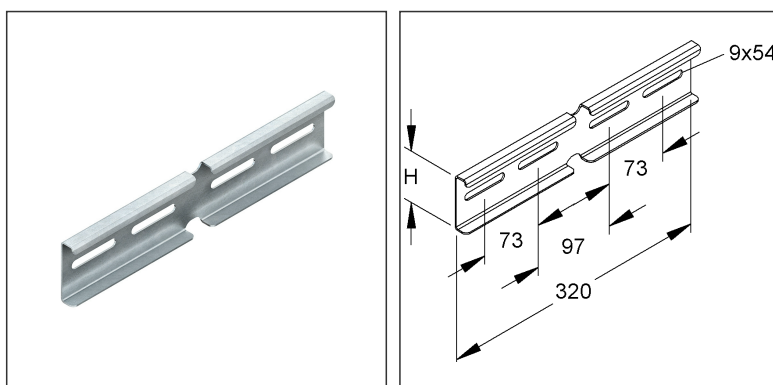
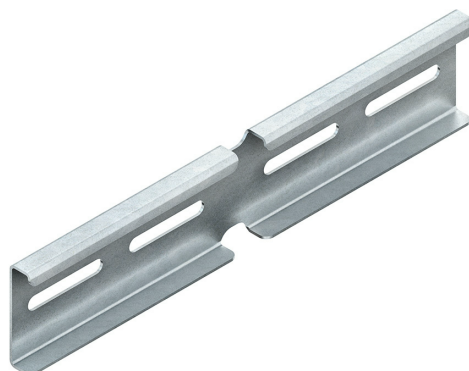
### Angle Connector

horizontal

KWV 60 F

EAN Code: 4013339290048  
Smallest packaging unit: 20 pcs.

the photorealistic images are to be considered as reference images



### Article Description

Angle connector for cable ladder, horizontal, height 60 mm, steel, hot dip galvanised DIN EN ISO 1461, incl. accessories

### Incl. accessories

4 FLM 8X13 F

### Additional Price Information

Article group	N13
quantity unit	pcs.

### Weight

Weight per quantity unit	489 g / pcs.
Weight in kg per 100	49 kg / 100pcs.

# Technical Datasheet

## Cable Ladder System

KWV 60 F

the photorealistic images are to be considered as reference images

### Physical Article Dimensions

Height	64.00 mm
Width	15.00 mm
Depth/length	320 mm

### Packing Dimension

<b>20 pieces = 1 carton</b>		✓ VP1-smallest packaging unit ( PU)		✓ VP1-preferred PU	
Lenght	350 mm	Width	180.00 mm	Height	110.00 mm
Gross weight	10 kg	Volume	0,007 m <sup>3</sup>		
Min. quantity	20.00 pcs.	Max. Quantity	20.00 pcs.		

<b>1200 pieces = 1 pallet</b>					
Lenght	1200 mm	Width	800 mm	Height	1000 mm
Gross weight	621 kg	Volume	0,960 m <sup>3</sup>		
Min. Quantity	1.200.00 pcs.	Max. Quantity	1.200.00 pcs.		

### Tender Text

Angle connector, horizontal, for a form-fit, longitudinally aligned connection of cable ladders and fittings, including proportional fastening accessories in hot-dip galvanised. The equipotential bonding takes place through the screw connection with the cable ladder and fitting beams.  
for cable ladder : KL 60...  
Requirement : 2 pieces per joint  
Dimensions (approx. dimensions)  
H x L : 60 x 320 mm  
Material : steel, hot-dip galvanised acc. to DIN EN ISO 1461  
NIEDAX Model No. : KWV 60 F  
EP Material\_\_\_\_\_ EP Lohn\_\_\_\_\_  
Unit price/piece

### Safety & Environment

REACH Date	25.06.2025
REACH Info	Conformable
RoHS Info	Conformable

### Origin & International Trade

Country of origin	DE
Customs tariff number	73089059