

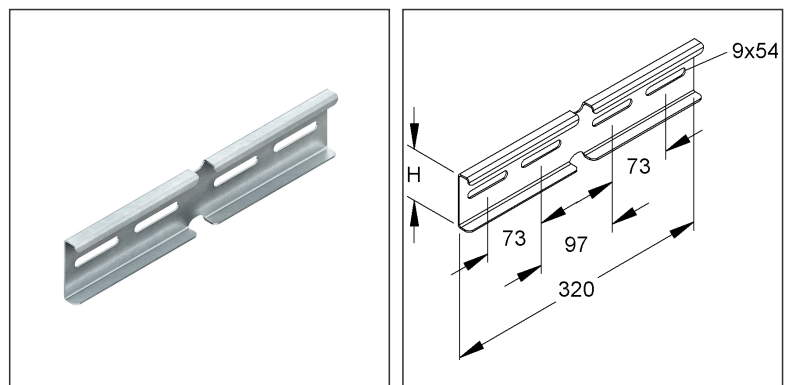
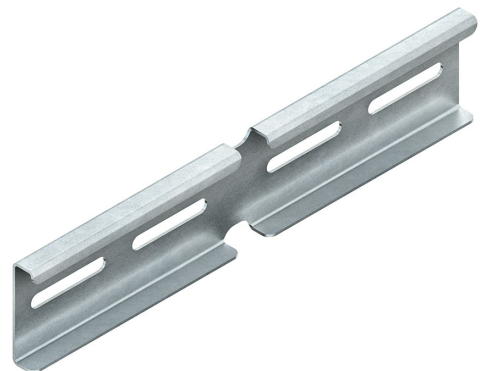
Angle Connector

horizontal

KWV 60 S

EAN Code: 4013339290024
 Smallest packaging unit: 20 pcs.

the photorealistic images are to be considered as reference images



Article Description

Angle connector for cable ladder, horizontal, height 60 mm, steel, pre-galvanised according to DIN EN 10346, incl. accessories

Incl. accessories

4 FLM 8X13 F

Additional Price Information

Article group	N13
quantity unit	pcs.

Weight

Weight per quantity unit	451 g / pcs.
Weight in kg per 100	45 kg / 100pcs.

Technical Datasheet

Cable Ladder System

KWV 60 S

the photorealistic images are to be considered as reference images

Physical Article Dimensions

Height	64.00 mm
Width	15.00 mm
Depth/length	320 mm

Packing Dimension

20 pieces = 1 carton		✓ VP1-smallest packaging unit (PU)	✓ VP1-preferred PU		
Lenght	350 mm	Width	180.00 mm	Height	110.00 mm
Gross weight	9,34 kg	Volume	0,007 m ³		
Min. quantity	20.00 pcs.	Max. Quantity	20.00 pcs.		

1200 pieces = 1 pallet					
Lenght	1200 mm	Width	800 mm	Height	1000 mm
Gross weight	556 kg	Volume	0,960 m ³		
Min. Quantity	1.200.00 pcs.	Max. Quantity	1.200.00 pcs.		

Tender Text

Angle connector, horizontal, for a form-fit, longitudinally aligned connection of cable ladders and fittings, including proportional fastening accessories in hot-dip galvanised. The equipotential bonding takes place through the screw connection with the cable ladder and fitting beams.
for cable ladder : KL 60...
Requirement : 2 pieces per joint
Dimensions (approx. dimensions)
H x L : 60 x 320 mm
Material : steel, pre-galvanised acc. to DIN EN 10346
NIEDAX Model No. : KWV 60 S
EP Material_____ EP Lohn_____
Unit price/piece

Safety & Environment

REACH Date	25.06.2025
REACH Info	Conformable
RoHS Info	Conformable

Origin & International Trade

Country of origin	DE
Customs tariff number	73089059