

C-Profile Type 2916

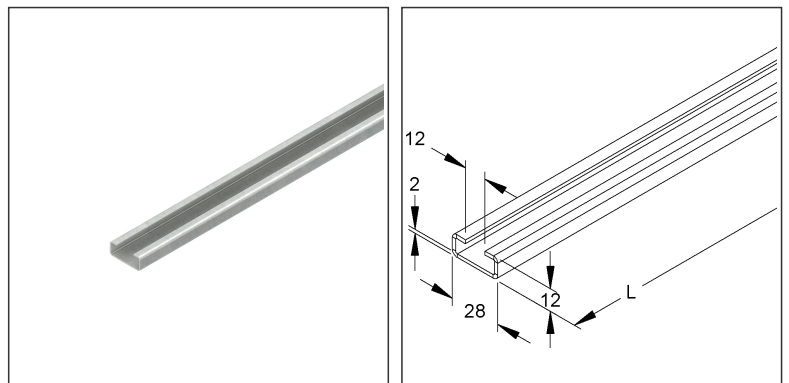
C-profile, slot width 12 mm, unperforated

2916/4 GO

EAN Code: 4013339029501

Smallest packaging unit: 10 x 4 m
 quantity unit: m M

the photorealistic images are to be considered as reference images



Article Description

C-profile, C-profile, slot width 12 mm, 28x12x4000 mm, unperforated, steel, galvanised acc. to DIN EN ISO 19598, thick-film passivated

Weight

Weight per quantity unit	894 g / m
Weight in kg per 100	89 kg / 100m

Physical Article Dimensions

Height	12.00 mm
Width	28.00 mm
Depth/length	4000 mm

Technical Datasheet

Niedax rails

2916/4 GO

the photorealistic images are to be considered as reference images

Additional Price Information

Article group	N05
quantity unit	m

Packing Dimension

40 meters = 1 bundle		✓ VP1-smallest packaging unit (PU)	✓ VP1-preferred PU		
Lenght	4000 mm	Width	160.00 mm	Height	30.00 mm
Gross weight	36 kg	Volume	0,019 m ³		
Min. quantity	40.00 m	Max. Quantity	40.00 m		

Tender Text

C-profile model 2916, unperforated.
Suitable U-clamps (BA... and BAK...).
Dimensions (approx. dimensions)
Height H x width W x material thickness t : 12 x 28 x 2 mm
Slot width : 12 mm
Delivery length L : 4000 mm
Material : steel, electro galvanised acc. to DIN EN ISO 19598, thick-film passivated
NIEDAX model no. : 2916/4 GO
EP material_____ EP wage_____
Unit price/meter

Safety & Environment

REACH Date	25.06.2025
REACH Info	Conformable
RoHS Info	Conformable

Origin & International Trade

Country of origin	DE
Federal State of Origin	RP
Customs tariff number	73269098