

Mounting Rail Type 2933

Top hat profile 35 mm, TS 35 similar to DIN EN 60715, unperforated

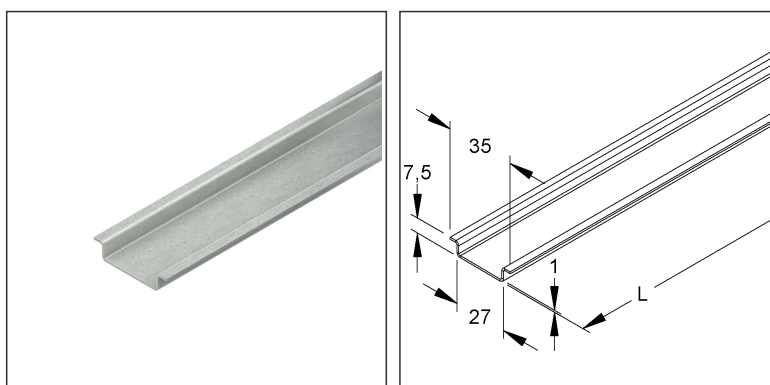
2933/2 GO

EAN Code: 4013339023301

Smallest packaging unit: 20 x 2 m

quantity unit: m M

the photorealistic images are to be considered as reference images



Article Description

Mounting rail, top hat profile, 35x7,5x2000 mm, unperforated, steel, galvanised acc. to DIN EN ISO 19598, thick-film passivated

Weight

Weight per quantity unit	360 g / m
Weight in kg per 100	36 kg / 100m

Physical Article Dimensions

Height	7.50 mm
Width	35.00 mm
Depth/length	2000 mm

Technical Datasheet

Niedax rails

2933/2 GO

the photorealistic images are to be considered as reference images

Additional Price Information

Article group	N04
quantity unit	m

Packing Dimension

40 meters = 1 bundle		✓ VP1-smallest packaging unit (PU)		✓ VP1-preferred PU	
Lenght	2000 mm	Width	150.00 mm	Height	40.00 mm
Gross weight	14 kg	Volume	0,012 m ³		
Min. quantity	40.00 m	Max. Quantity	40.00 m		
2680 meters = 1 rack					
Lenght	2000 mm	Width	850 mm	Height	770 mm
Gross weight	1022 kg	Volume	1,309 m ³		
Min. Quantity	2.680.00 m	Max. Quantity	2.680.00 m		

Tender Text

Mounting rail model 2933, top-hat rail 35 mm, mounting rail TS 35 to DIN EN 60715, unperforated.
Used for: installation devices and terminal blocks
Dimensions (approx.)
Height H x width W x material thickness t : 7.5 x 35 x 1 mm
Width W1 of the mounting level : 27 mm
Delivery length L : 2000 mm
Material : steel, electro galvanised according to DIN EN ISO 19598, thick-film passivated
NIEDAX Model No.: 2933/2 GO
EP Material_____ EP Wage_____
Unit price/meter

Safety & Environment

REACH Date	25.06.2025
REACH Info	Conformable
RoHS Info	Conformable

Origin & International Trade

Country of origin	DE
Customs tariff number	73269098