

## Mounting Rail Type 2933

Top hat profile 35 mm, TS 35 similar to DIN EN 60715, unperforated

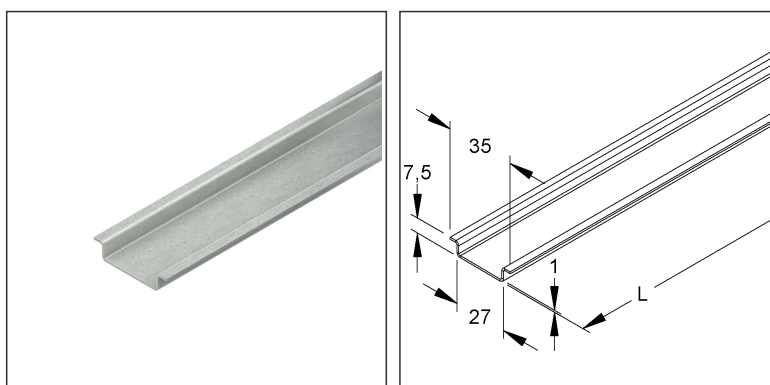
### 2933/4 SO

EAN Code: 4013339024308

Smallest packaging unit: 20 x 4 m

quantity unit: m M

the photorealistic images are to be considered as reference images



### Article Description

Support rail, top hat profile, 35x7,5x4000 mm, unperforated, steel, pre-galvanised according to DIN EN 10346

### Weight

Weight per quantity unit	360 g / m
Weight in kg per 100	36 kg / 100m

### Physical Article Dimensions

Height	7.50 mm
Width	35.00 mm
Depth/length	4000 mm

### Additional Price Information

Article group	N04
quantity unit	m

# Technical Datasheet

## Niedax rails

2933/4 SO

the photorealistic images are to be considered as reference images

### Packing Dimension

<b>80 meters = 1 bundle</b>		✓ VP1-smallest packaging unit ( PU)	✓ VP1-preferred PU		
Lenght	4000 mm	Width	160.00 mm	Height	45.00 mm
Gross weight	29 kg	Volume	0,029 m <sup>3</sup>		
Min. quantity	80.00 m	Max. Quantity	80.00 m		

### Tender Text

Mounting rail model 2933, top-hat rail 35 mm, mounting rail TS 35 to DIN EN 60715, unperforated.

Used for: installation devices and terminal blocks

Dimensions (approx.)

Height H x width W x material thickness t : 7.5 x 35 x 1 mm

Width W1 of the mounting level : 27 mm

Delivery length L : 4000 mm

Material : steel, pre-galvanised acc. to DIN EN 10346

NIEDAX Model No. : 2933/4 SO

EP Material \_\_\_\_\_ EP Wage \_\_\_\_\_

Unit price/meter

### Safety & Environment

REACH Date	25.06.2025
REACH Info	Conformable
RoHS Info	Conformable

### Origin & International Trade

Country of origin	DE
Customs tariff number	73269098