

Mounting Rail Type 2934

Top hat profile 35 mm, TS 35 similar to DIN EN 60715, with special perforation

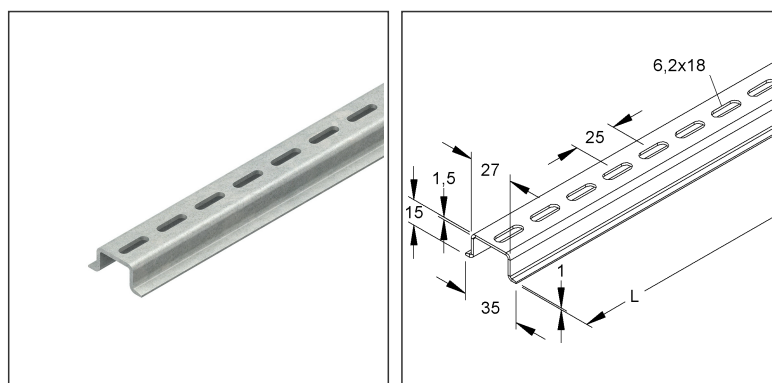
2934/2 GL6

EAN Code: 4013339026777

Smallest packaging unit: 10 x 2 m

quantity unit: m M

the photorealistic images are to be considered as reference images



Article Description

Mounting rail, top hat profile, 35x15x2000mm, perforated, LL 6,2x18 mm, steel, galvanised acc. to DIN EN ISO 19598, thick-film passivated

Weight

Weight per quantity unit	633 g / m
Weight in kg per 100	63 kg / 100m

Physical Article Dimensions

Height	15.00 mm
Width	35.00 mm
Depth/length	2000 mm

Technical Datasheet

Niedax rails

2934/2 GL6

the photorealistic images are to be considered as reference images

Additional Price Information

Article group	N04
quantity unit	m

Packing Dimension

20 meters = 1 bundle		✓ VP1-smallest packaging unit (PU)		✓ VP1-preferred PU	
Lenght	2000 mm	Width	85.00 mm	Height	55.00 mm
Gross weight	13 kg	Volume	0,009 m ³		
Min. quantity	20.00 m	Max. Quantity	20.00 m		
1400 meters = 1 rack					
Lenght	2000 mm	Width	850 mm	Height	770 mm
Gross weight	944 kg	Volume	1,309 m ³		
Min. Quantity	1.400.00 m	Max. Quantity	1.400.00 m		

Tender Text

Mounting rail model 2934, top-hat rail 35 mm, mounting rail TS 35 similar to DIN EN 60715, perforated.
Used for: installation devices and terminal blocks
Dimensions (approx. dimensions)
Height H x width W x material thickness t : 15 x 35 x 1.5 mm
Width W1 of the mounting level : 27 mm
Profile perforation : 6.2 x 18 mm
centre distance : 25 mm
Delivery length L : 2000 mm
Material : steel, galvanised according to DIN EN ISO 19598, thick-film passivated
NIEDAX Model No. : 2934/2 GL6
EP Material_____ EP Wage_____
Unit price/meter

Safety & Environment

REACH Date	25.06.2025
REACH Info	Conformable
RoHS Info	Conformable

Origin & International Trade

Country of origin	DE
Customs tariff number	73269098