

## Mounting Rail Type 2934

Top hat profile 35 mm, TS 35 similar to DIN EN 60715, unperforated

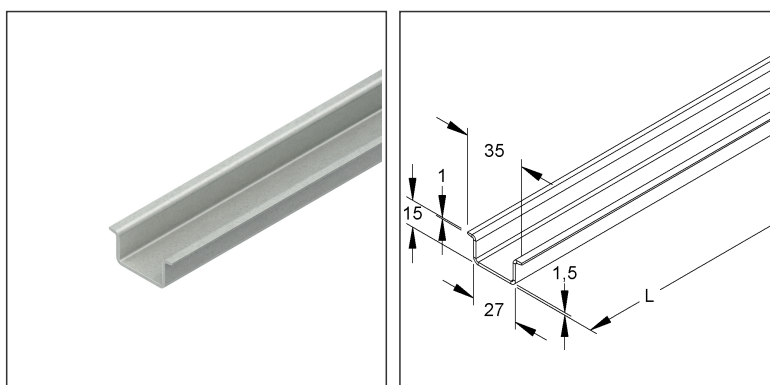
### 2934/2 SO

EAN Code: 4013339027200

Smallest packaging unit: 10 x 2 m

quantity unit: m M

the photorealistic images are to be considered as reference images



### Article Description

Mounting rail, top hat profile, 35x15x2000 mm, unperforated, steel, pre-galvanised according to DIN EN 10346

### Weight

Weight per quantity unit	682 g / m
Weight in kg per 100	68 kg / 100m

### Physical Article Dimensions

Height	15.00 mm
Width	35.00 mm
Depth/length	2000 mm

### Additional Price Information

Article group	N04
quantity unit	m

# Technical Datasheet

## Niedax rails

2934/2 SO

the photorealistic images are to be considered as reference images

### Packing Dimension

<b>20 meters = 1 bundle</b>		✓ VP1-smallest packaging unit ( PU)		✓ VP1-preferred PU	
Lenght	2000 mm	Width	85.00 mm	Height	55.00 mm
Gross weight	14 kg	Volume	0,009 m <sup>3</sup>		
Min. quantity	20.00 m	Max. Quantity	20.00 m		
<b>1400 meters = 1 rack</b>					
Lenght	2000 mm	Width	850 mm	Height	770 mm
Gross weight	1013 kg	Volume	1,309 m <sup>3</sup>		
Min. Quantity	1.400.00 m	Max. Quantity	1.400.00 m		

### Tender Text

Mounting rail model 2934, top-hat rail 35 mm, mounting rail TS 35 similar to DIN EN 60715, unperforated. Used for: installation devices and terminal blocks Dimensions (approx. dimensions) Height H x width W x material thickness t : 15 x 35 x 1.5 mm Width W1 of the mounting level : 27 mm Delivery length L : 2000 mm Material : steel, pre-galvanised acc. to DIN EN 10346 NIEDAX Model No. : 2934/2 SO EP Material_____ EP Wage_____ Unit price/meter
--

### Safety & Environment

REACH Date	25.06.2025
REACH Info	Conformable
RoHS Info	Conformable

### Origin & International Trade

Country of origin	DE
Customs tariff number	73269098