

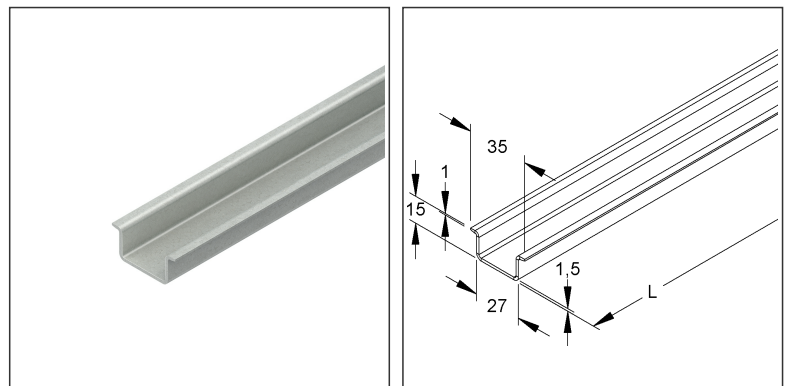
**Mounting Rail Type 2934**

Top hat profile 35 mm, TS 35 similar to DIN EN 60715, unperforated

**2934/4 GO**

EAN Code: 4013339026708  
 Smallest packaging unit: 10 x 4 m  
 quantity unit: m M

the photorealistic images are to be considered as reference images



**Article Description**

Support rail, top hat profile, 35x15x4000 mm, unperforated, steel, galvanised acc. to DIN EN ISO 19598, thick-film passivated

**Weight**

Weight per quantity unit	682 g / m
Weight in kg per 100	68 kg / 100m

**Physical Article Dimensions**

Height	15.00 mm
Width	35.00 mm
Depth/length	4000 mm

# Technical Datasheet

## Niedax rails

2934/4 GO

the photorealistic images are to be considered as reference images

### Additional Price Information

Article group	N04
quantity unit	m

### Packing Dimension

<b>40 meters = 1 bundle</b>		✓ VP1-smallest packaging unit ( PU)		✓ VP1-preferred PU	
Lenght	4000 mm	Width	160.00 mm	Height	40.00 mm
Gross weight	27 kg	Volume	0,026 m <sup>3</sup>		
Min. quantity	40.00 m	Max. Quantity	40.00 m		

### Tender Text

Mounting rail model 2934, top-hat rail 35 mm, mounting rail TS 35 similar to DIN EN 60715, unperforated.  
Used for: installation devices and terminal blocks  
Dimensions (approx. dimensions)  
Height H x width W x material thickness t : 15 x 35 x 1.5 mm  
Width W1 of the mounting level : 27 mm  
Delivery length L : 4000 mm  
Material : steel, galvanised according to DIN EN ISO 19598, thick-film passivated  
NIEDAX Model No.: 2934/4 GO  
EP Material\_\_\_\_\_ EP Wage\_\_\_\_\_  
Unit price/meter

### Safety & Environment

REACH Date	25.06.2025
REACH Info	Conformable
RoHS Info	Conformable

### Origin & International Trade

Country of origin	DE
Customs tariff number	73269098