

Mounting Rail Type 2934

Top hat profile 35 mm, TS 35 similar to DIN EN 60715, perforated

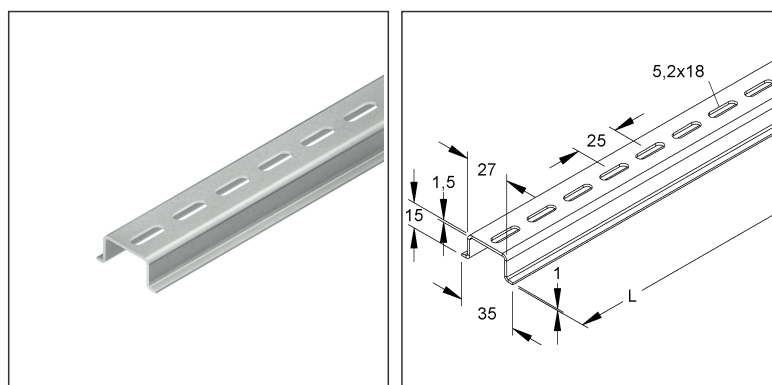
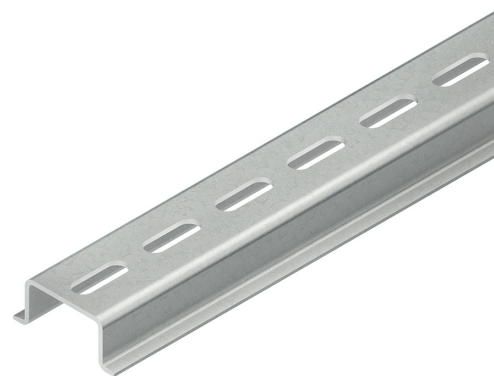
2934/4 SL

EAN Code: 4013339027507

Smallest packaging unit: 10 x 4 m

quantity unit: m M

the photorealistic images are to be considered as reference images



Article Description

Mounting rail, top hat profile, 35x15x4000 mm, perforated, steel, pre-galvanised according to DIN EN 10346

Weight

Weight per quantity unit	640 g / m
Weight in kg per 100	64 kg / 100m

Physical Article Dimensions

Height	15.00 mm
Width	35.00 mm
Depth/length	4000 mm

Additional Price Information

Article group	N04
quantity unit	m

Technical Datasheet

Niedax rails

2934/4 SL

the photorealistic images are to be considered as reference images

Packing Dimension

40 meters = 1 bundle		✓ VP1-smallest packaging unit (PU)	✓ VP1-preferred PU		
Lenght	4000 mm	Width	160.00 mm	Height	40.00 mm
Gross weight	26 kg	Volume	0,026 m ³		
Min. quantity	40.00 m	Max. Quantity	40.00 m		
1600 meters = 1 rack					
Lenght	4000 mm	Width	850 mm	Height	770 mm
Gross weight	1083 kg	Volume	2,618 m ³		
Min. Quantity	1.600.00 m	Max. Quantity	1.600.00 m		

Tender Text

Mounting rail model 2934, top-hat rail 35 mm, mounting rail TS 35 similar to DIN EN 60715, perforated. Used for: installation devices and terminal blocks Dimensions (approx. dimensions) Height H x width W x material thickness t : 15 x 35 x 1.5 mm Width W1 of the mounting level : 27 mm Profile perforation : 5.2 x 18 mm centre distance : 25 mm Delivery length L : 4000 mm Material : steel, pre-galvanised acc. to DIN EN 10346 NIEDAX Model No. : 2934/4 SL EP Material_____ EP Wage_____ Unit price/meter
--

Safety & Environment

REACH Date	25.06.2025
REACH Info	Conformable
RoHS Info	Conformable

Origin & International Trade

Country of origin	DE
Customs tariff number	73269098