

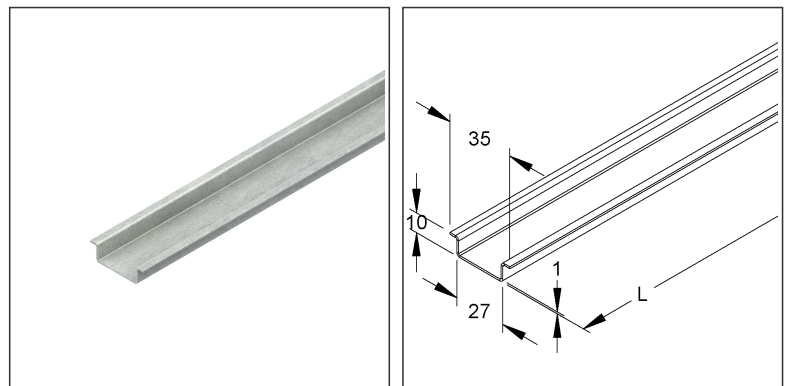
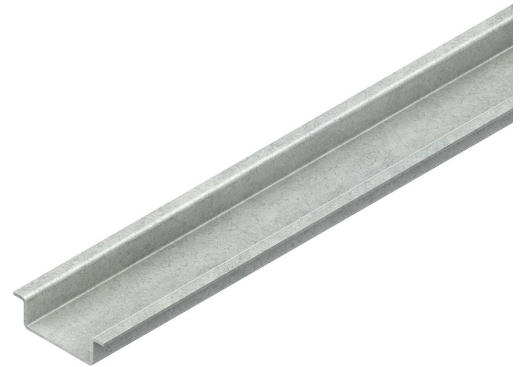
Mounting Rail Type 2935

Top hat profile 35 mm, TS 35 acc. to DIN EN 60715, unperforated

2935/2 BO

EAN Code: 4013339025305
 Smallest packaging unit: 20 x 2 m
 quantity unit: m M

the photorealistic images are to be considered as reference images



Article Description

Support rail, top hat profile, 35x10x2000 mm, unperforated, steel, bare

Weight

| | |
|--------------------------|--------------|
| Weight per quantity unit | 399 g / m |
| Weight in kg per 100 | 40 kg / 100m |

Physical Article Dimensions

| | |
|--------------|----------|
| Height | 10.00 mm |
| Width | 35.00 mm |
| Depth/length | 2000 mm |

Additional Price Information

| | |
|---------------|-----|
| Article group | N04 |
| quantity unit | m |

Technical Datasheet

Niedax rails

2935/2 BO

the photorealistic images are to be considered as reference images

Packing Dimension

| | | | | | |
|-----------------------------|---------|-------------------------------------|----------------------|--------------------|----------|
| 40 meters = 1 bundle | | ✓ VP1-smallest packaging unit (PU) | | ✓ VP1-preferred PU | |
| Lenght | 2000 mm | Width | 150.00 mm | Height | 50.00 mm |
| Gross weight | 16 kg | Volume | 0,015 m ³ | | |
| Min. quantity | 40.00 m | Max. Quantity | 40.00 m | | |

Tender Text

Mounting rail model 2935, top-hat rail 35 mm, mounting rail TS 35 similar to DIN EN 60715, unperforated.
Used for: installation devices and terminal blocks
Dimensions (approx. dimensions)
Height H x width W x material thickness t : 10 x 35 x 1 mm
Width W1 of the mounting level : 27 mm
Delivery length L : 2000 mm
Material : steel, bright
NIEDAX Model No.: 2935/2 BO
EP Material_____ EP Wage_____
Unit price/metre

Safety & Environment

| | |
|------------|-------------|
| REACH Date | 25.06.2025 |
| REACH Info | Conformable |
| RoHS Info | Conformable |

Origin & International Trade

| | |
|-----------------------|----------|
| Country of origin | DE |
| Customs tariff number | 73269098 |