

## Mounting Rail Type 2936

Top hat profile 35 mm, TS 35 similar to DIN EN 60715, unperforated

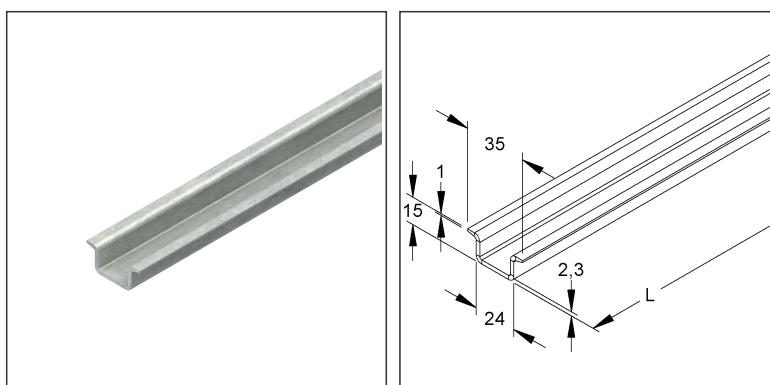
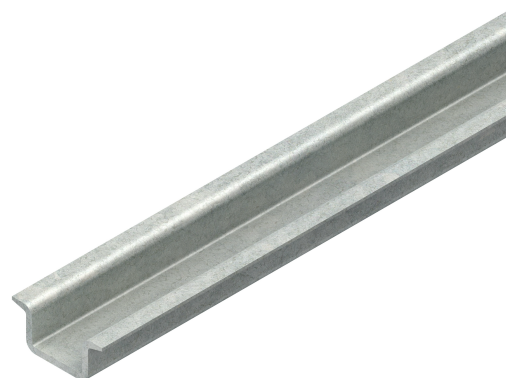
### 2936/2 BO

EAN Code: 4013339028009

Smallest packaging unit: 10 x 2 m

quantity unit: m M

the photorealistic images are to be considered as reference images



### Article Description

Mounting rail, top hat profile, 35x15x2000 mm, unperforated, steel, bare

### Weight

Weight per quantity unit	976 g / m
Weight in kg per 100	98 kg / 100m

### Physical Article Dimensions

Height	15.00 mm
Width	35.00 mm
Depth/length	2000 mm

### Additional Price Information

Article group	N04
quantity unit	m

# Technical Datasheet

## Niedax rails

2936/2 BO

the photorealistic images are to be considered as reference images

### Packing Dimension

<b>20 meters = 1 bundle</b>		✓ VP1-smallest packaging unit ( PU)		✓ VP1-preferred PU	
Lenght	2000 mm	Width	85.00 mm	Height	55.00 mm
Gross weight	20 kg	Volume	0,009 m <sup>3</sup>		
Min. quantity	20.00 m	Max. Quantity	20.00 m		

### Tender Text

Mounting rail model 2936, top-hat rail 35 mm, mounting rail TS 35 similar to DIN EN 60715, unperforated.  
Used for: installation devices and terminal blocks  
Dimensions (approx. dimensions)  
Height H x width W x material thickness t : 15 x 35 x 2.3 mm  
Width W1 of the mounting level : 24 mm  
Delivery length L : 2000 mm  
Material : steel, bright  
NIEDAX Model No.: 2936/2 BO  
EP Material\_\_\_\_\_ EP Wage\_\_\_\_\_  
Unit price/meter

### Safety & Environment

REACH Date	25.06.2025
REACH Info	Conformable
RoHS Info	Conformable

### Origin & International Trade

Country of origin	DE
Customs tariff number	73269098