

## Mounting Rail Type 2937

Top hat profile 15 mm, TS 15 acc. to DIN EN 60715, unperforated

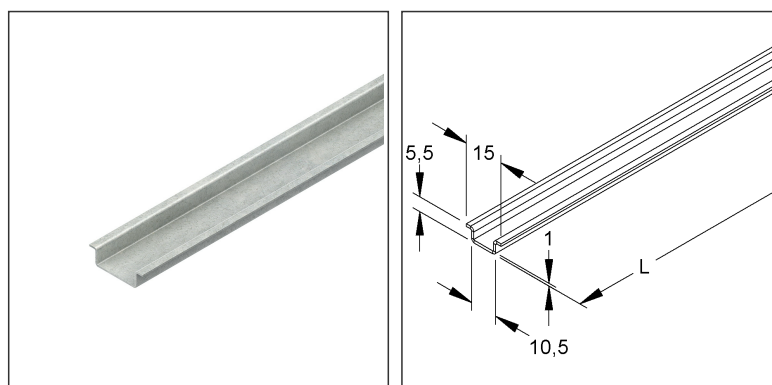
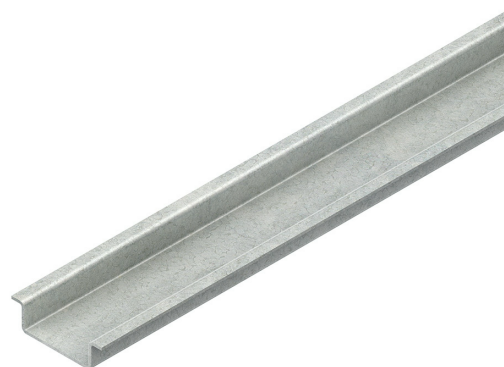
### 2937/2 BO

EAN Code: 4013339022205

Smallest packaging unit: 20 x 2 m

quantity unit: m M

the photorealistic images are to be considered as reference images



### Article Description

Mounting rail, top hat profile, 15x5,5x2000 mm, unperforated, steel, bare

### Weight

Weight per quantity unit	177 g / m
Weight in kg per 100	18 kg / 100m

### Physical Article Dimensions

Height	5.50 mm
Width	15.00 mm
Depth/length	2000 mm

### Additional Price Information

Article group	N04
quantity unit	m

# Technical Datasheet

## Niedax rails

2937/2 BO

the photorealistic images are to be considered as reference images

### Packing Dimension

<b>40 meters = 1 bundle</b>		✓ VP1-smallest packaging unit ( PU)		✓ VP1-preferred PU	
Lenght	2000 mm	Width	70.00 mm	Height	35.00 mm
Gross weight	7,08 kg	Volume	0,005 m <sup>3</sup>		
Min. quantity	40.00 m	Max. Quantity	40.00 m		
<b>5200 meters = 1 rack</b>					
Lenght	2000 mm	Width	850 mm	Height	770 mm
Gross weight	979 kg	Volume	1,309 m <sup>3</sup>		
Min. Quantity	5.200.00 m	Max. Quantity	5.200.00 m		

### Tender Text

Mounting profile model 2937, top-hat rail 15 mm, mounting profile TS 15 to DIN EN 60715, unperforated Used for : terminal blocks Dimensions (approx. dimensions) Height H x width W x material thickness t : 5.5 x 35 x 1.5 mm Width W1 of the mounting level : 10.5 mm Delivery length L : 2000 mm Material : steel, bright NIEDAX model no. : 2937/2 BO EP material_____ EP wage_____ Unit price/meter
---

### Safety & Environment

REACH Date	25.06.2025
REACH Info	Conformable
RoHS Info	Conformable

### Origin & International Trade

Country of origin	DE
Customs tariff number	73269098