

## Mounting Rail Type 2937

Top hat profile 15 mm, TS 15 acc. to DIN EN 60715, perforated

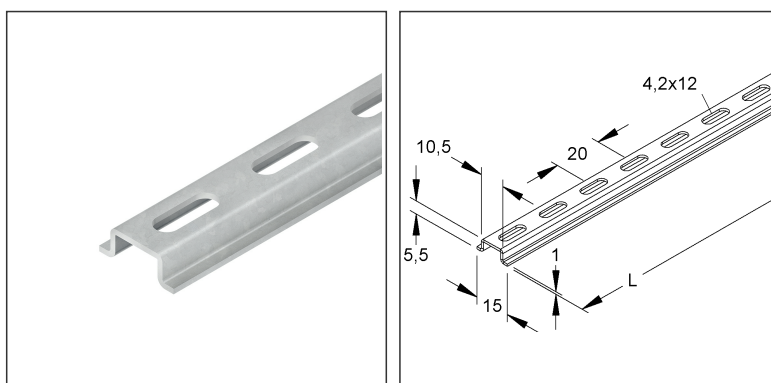
### 2937/2 GL

EAN Code: 4013339022601

Smallest packaging unit: 20 x 2 m

quantity unit: m M

the photorealistic images are to be considered as reference images



### Article Description

Mounting rail, top hat profile, 15x5,5x2000 mm, perforated, steel, galvanised acc. to DIN EN ISO 19598, thick-film passivated

### Weight

Weight per quantity unit	159 g / m
Weight in kg per 100	16 kg / 100m

### Physical Article Dimensions

Height	5.50 mm
Width	15.00 mm
Depth/length	2000 mm

# Technical Datasheet

## Niedax rails

2937/2 GL

the photorealistic images are to be considered as reference images

### Additional Price Information

Article group	N04
quantity unit	m

### Packing Dimension

<b>40 meters = 1 bundle</b>		✓ VP1-smallest packaging unit ( PU)		✓ VP1-preferred PU	
Lenght	2000 mm	Width	70.00 mm	Height	35.00 mm
Gross weight	6,35 kg	Volume	0,005 m <sup>3</sup>		
Min. quantity	40.00 m	Max. Quantity	40.00 m		

### Tender Text

Mounting profile model 2937, top-hat rail 15 mm, mounting profile TS 15 to DIN EN 60715, perforated  
Used for : terminal blocks  
Dimensions (approx. dimensions)  
Height H x width W x material thickness t : 5.5 x 15 x 1 mm  
Width W1 of the mounting level : 10.5 mm  
Profile perforation : 4.2 x 12 mm  
centre distance : 20 mm  
Delivery length L : 2000 mm  
Material : steel, electro-galvanised acc. to DIN EN ISO 19598, thick-film passivated  
NIEDAX model no. : 2937/2 GL  
EP material\_\_\_\_\_ EP wage\_\_\_\_\_  
Unit price/meter

### Safety & Environment

REACH Date	25.06.2025
REACH Info	Conformable
RoHS Info	Conformable

### Origin & International Trade

Country of origin	DE
Customs tariff number	73269098