

Mounting Rail Type 2937

Top hat profile 15 mm, TS 15 acc. to DIN EN 60715, unperforated

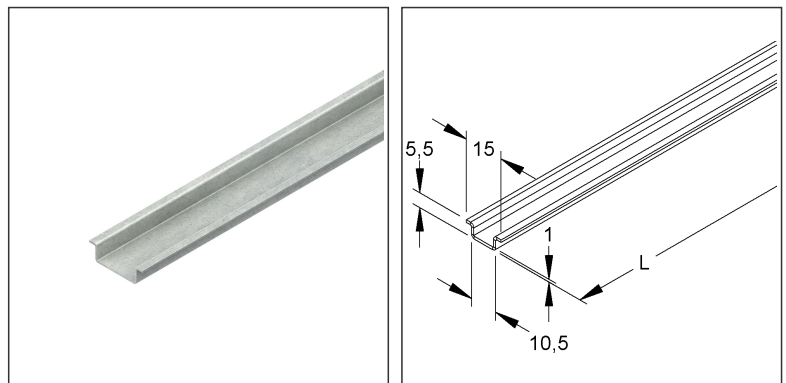
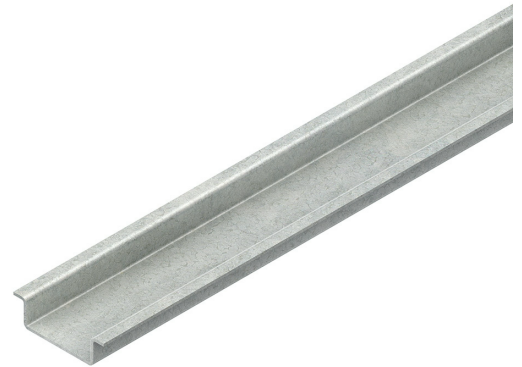
2937/2 GO

EAN Code: 4013339022403

Smallest packaging unit: 20 x 2 m

quantity unit: m M

the photorealistic images are to be considered as reference images



Article Description

Mounting rail, top hat profile, 15x5,5x2000 mm, unperforated, steel, galvanised acc. to DIN EN ISO 19598, thick-film passivated

Weight

Weight per quantity unit	177 g / m
Weight in kg per 100	18 kg / 100m

Physical Article Dimensions

Height	5.50 mm
Width	15.00 mm
Depth/length	2000 mm

Technical Datasheet

Niedax rails

2937/2 GO

the photorealistic images are to be considered as reference images

Additional Price Information

Article group	N04
quantity unit	m

Packing Dimension

40 meters = 1 bundle		✓ VP1-smallest packaging unit (PU)		✓ VP1-preferred PU	
Lenght	2000 mm	Width	70.00 mm	Height	35.00 mm
Gross weight	7,08 kg	Volume	0,005 m ³		
Min. quantity	40.00 m	Max. Quantity	40.00 m		
5200 meters = 1 rack					
Lenght	2000 mm	Width	850 mm	Height	770 mm
Gross weight	979 kg	Volume	1,309 m ³		
Min. Quantity	5.200.00 m	Max. Quantity	5.200.00 m		

Tender Text

Mounting profile model 2937, top-hat rail 15 mm, mounting profile TS 15 to DIN EN 60715, unperforated
Used for : terminal blocks
Dimensions (approx. dimensions)
Height H x width W x material thickness t : 5.5 x 15 x 1 mm
Width W1 of the mounting level : 10.5 mm
Delivery length L : 2000 mm
Material : steel, electro-galvanised acc. to DIN EN ISO 19598, thick-film passivated
NIEDAX model no. : 2937/2 GO
EP material_____ EP wage_____
Unit price/meter

Safety & Environment

REACH Date	25.06.2025
REACH Info	Conformable
RoHS Info	Conformable

Origin & International Trade

Country of origin	DE
Customs tariff number	73269098