

## C-Profile Type 2971

C-profile, slot width 16 mm, similar to DIN EN 60715, unperforated

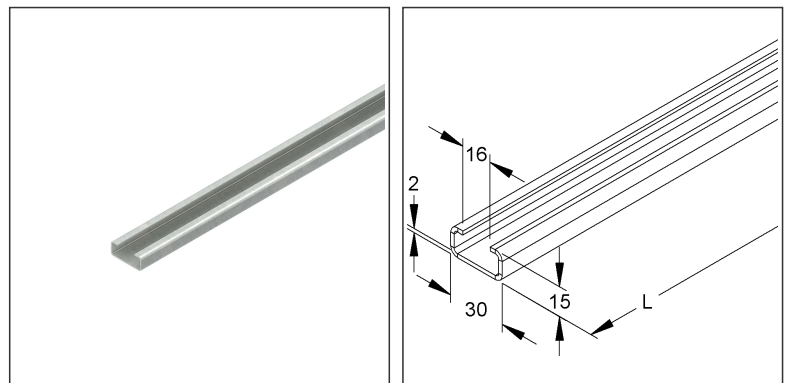
### 2971/4 GO

EAN Code: 4013339030804

Smallest packaging unit: 10 x 4 m

quantity unit: m M

the photorealistic images are to be considered as reference images



### Article Description

C-profile, slot width 16 mm, 30x15x4000 mm, t=2,0 mm, unperforated, steel, galvanised acc. to DIN EN ISO 2081, thick-film passivated

### Weight

Weight per quantity unit	954 g / m
Weight in kg per 100	95 kg / 100m

### Physical Article Dimensions

Height	15.00 mm
Width	30.00 mm
Depth/length	4000 mm

# Technical Datasheet

## Niedax rails

2971/4 GO

the photorealistic images are to be considered as reference images

### Additional Price Information

Article group	N05
quantity unit	m

### Packing Dimension

<b>40 meters = 1 bundle</b>		✓ VP1-smallest packaging unit ( PU)	✓ VP1-preferred PU		
Lenght	4000 mm	Width	170.00 mm	Height	40.00 mm
Gross weight	38 kg	Volume	0,027 m <sup>3</sup>		
Min. quantity	40.00 m	Max. Quantity	40.00 m		

### Tender Text

C-profile model 2971 acc. to DIN EN 60715, unperforated.  
Suitable U-clamps (B... and BK...).

The SKC 70 protective cap must be fitted in personal danger areas. To ensure that the protective cap can be fitted easily, a distance of at least 30 mm from the end of the profile must be left.

Dimensions (approx. dimensions)  
Height H x width W x material thickness t : 15 x 30 x 2 mm  
Slot width : 16 mm  
Delivery length L : 4000 mm  
Material : steel, electro galvanised acc. to DIN EN ISO 19598, thick-film passivated  
NIEDAX model no. : 2971/4 GO  
EP material\_\_\_\_\_ EP wage\_\_\_\_\_  
Unit price/meter

### Safety & Environment

REACH Date	25.06.2025
REACH Info	Conformable
RoHS Info	Conformable

### Origin & International Trade

Country of origin	DE
Customs tariff number	73269098