

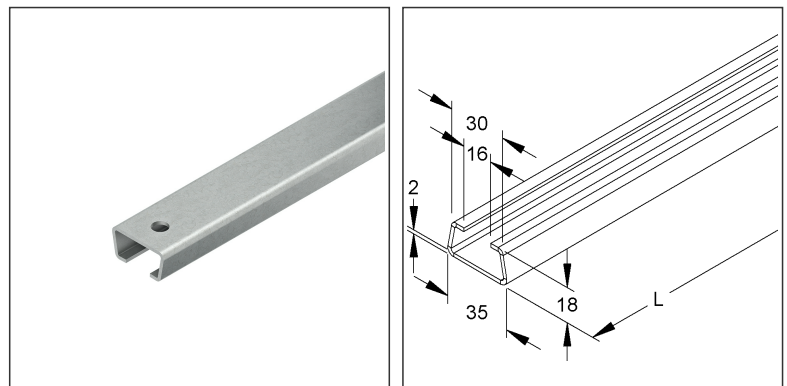
C-Profile Type 2980

C-profile, slot width 16 mm, unperforated

2980/2 BO

EAN Code: 4013339041602
 Smallest packaging unit: 10 x 2 m
 quantity unit: m M

the photorealistic images are to be considered as reference images



Article Description

C-profile, C-profile, slot width 16 mm, 35x18x2000 mm, unperforated, steel, bare

Weight

Weight per quantity unit	1,168 kg/ m
Weight in kg per 100	117 kg/ 100m

Physical Article Dimensions

Height	18.00 mm
Width	35.00 mm
Depth/length	2000 mm

Additional Price Information

Article group	N05
quantity unit	m

Technical Datasheet

Niedax rails

2980/2 BO

the photorealistic images are to be considered as reference images

Packing Dimension

20 meters = 1 bundle		✓ VP1-smallest packaging unit (PU)	✓ VP1-preferred PU		
Lenght	2000 mm	Width	100.00 mm	Height	55.00 mm
Gross weight	23 kg	Volume	0,011 m ³		
Min. quantity	20.00 m	Max. Quantity	20.00 m		

800 meters = 1 rack		Width	Height	
Lenght	2000 mm	850 mm	770 mm	
Gross weight	993 kg	Volume	1,309 m ³	
Min. Quantity	800.00 m	Max. Quantity	800.00 m	

Tender Text

C-profile model 2980, C-profile with sloping sides, unperforated. Suitable U-clamps (B... and BK...).
Dimensions (approx. dimensions)
Height H x material thickness t : 18 x 2 mm
Width W to width W1 : 35 on 30 mm
Slot width : 16 mm
Delivery length L : 2000 mm
Material : steel, bright
NIEDAX Model No. : 2980/2 BO
EP Material_____ EP Wage_____
Unit price/meter

Safety & Environment

REACH Date	25.06.2025
REACH Info	Conformable
RoHS Info	Conformable

Origin & International Trade

Country of origin	DE
Customs tariff number	73269098