

## C-Profile Type 2980

C-profile, slot width 16 mm, perforated

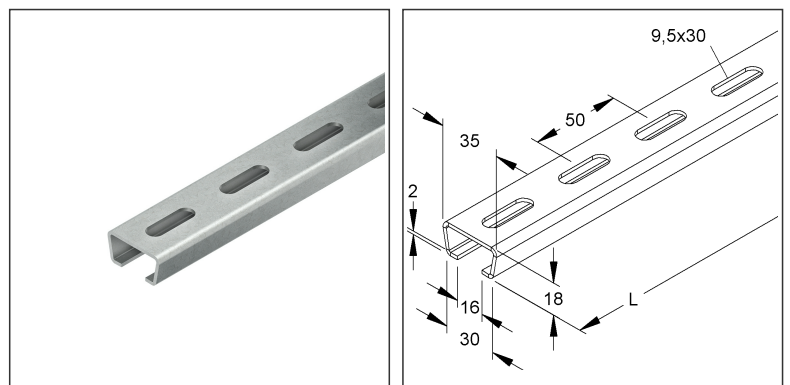
### 2980/2 FL

EAN Code: 4013339042203

Smallest packaging unit: 10 x 2 m

quantity unit: m M

the photorealistic images are to be considered as reference images



### Article Description

C-profile, C-profile, slot width 16 mm, 35x18x2000 mm, perforated, steel, hot dip galvanised DIN EN ISO 1461

### Weight

Weight per quantity unit	1,193 kg/ m
Weight in kg per 100	119 kg/ 100m

### Physical Article Dimensions

Height	18.00 mm
Width	35.00 mm
Depth/length	2000 mm

### Additional Price Information

Article group	N05
quantity unit	m

# Technical Datasheet

## Niedax rails

2980/2 FL

the photorealistic images are to be considered as reference images

### Packing Dimension

<b>20 meters = 1 bundle</b>		✓ VP1-smallest packaging unit ( PU)		✓ VP1-preferred PU	
Lenght	2000 mm	Width	100.00 mm	Height	55.00 mm
Gross weight	24 kg	Volume	0,011 m <sup>3</sup>		
Min. quantity	20.00 m	Max. Quantity	20.00 m		
<b>1540 meters = 1 rack</b>					
Lenght	2000 mm	Width	850 mm	Height	770 mm
Gross weight	1896 kg	Volume	1,309 m <sup>3</sup>		
Min. Quantity	1.540.00 m	Max. Quantity	1.540.00 m		

### Tender Text

<p>C-profile model 2980, C-profile with sloping sides, perforated. Suitable U-clamps (B... and BK...).</p> <p>Dimensions (approx. dimensions)</p> <p>Height H x material thickness t : 18 x 2 mm</p> <p>Width W to width W1 : 35 on 30 mm</p> <p>Slot width : 16 mm</p> <p>Profile perforation : 9.5 x 30 mm</p> <p>central distance : 50 mm</p> <p>Delivery length L : 2000 mm</p> <p>Material : steel, hot-dip galvanised acc. to DIN EN ISO 1461</p> <p>NIEDAX Model No. : 2980/2 FL</p> <p>EP Material _____ EP Wage _____</p> <p>Unit price/meter</p>
--

### Safety & Environment

REACH Date	25.06.2025
REACH Info	Conformable
RoHS Info	Conformable

### Origin & International Trade

Country of origin	DE
Customs tariff number	73269098