

## C-Profile Type 2980

C-profile, slot width 16 mm, perforated

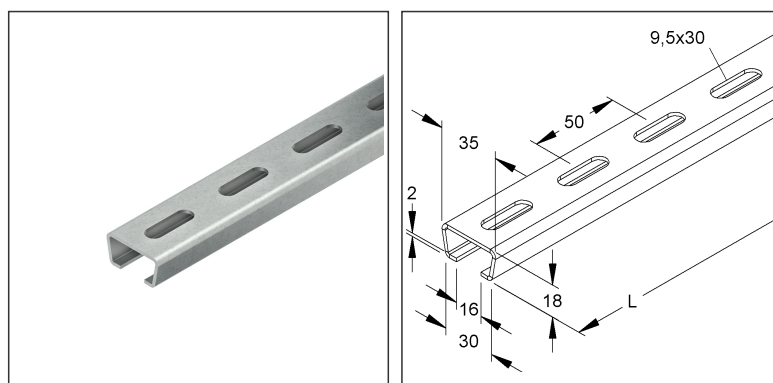
### 2980/2 SL

EAN Code: 4013339042555

Smallest packaging unit: 10 x 2 m

quantity unit: m M

the photorealistic images are to be considered as reference images



### Article Description

C-profile, C-profile, slot width 16 mm, 35x18x2000 mm, perforated, steel, pre-galvanised according to DIN EN 10346

### Weight

Weight per quantity unit	1,085 kg/ m
Weight in kg per 100	108 kg/ 100m

### Physical Article Dimensions

Height	18.00 mm
Width	35.00 mm
Depth/length	2000 mm

# Technical Datasheet

## Niedax rails

2980/2 SL

the photorealistic images are to be considered as reference images

### Additional Price Information

Article group	N05
quantity unit	m

### Packing Dimension

<b>20 meters = 1 bundle</b>		✓ VP1-smallest packaging unit ( PU)		✓ VP1-preferred PU	
Lenght	2000 mm	Width	100.00 mm	Height	55.00 mm
Gross weight	22 kg	Volume	0,011 m <sup>3</sup>		
Min. quantity	20.00 m	Max. Quantity	20.00 m		
<b>900 meters = 1 rack</b>					
Lenght	2000 mm	Width	850 mm	Height	770 mm
Gross weight	1035 kg	Volume	1,309 m <sup>3</sup>		
Min. Quantity	900.00 m	Max. Quantity	900.00 m		

### Tender Text

C-profile model 2980, C-profile with sloping sides, perforated. Suitable U-clamps (B... and BK...).

Dimensions (approx. dimensions)

Height H x material thickness t : 18 x 2 mm

Width W to width W1 : 35 on 30 mm

Slot width : 16 mm

Profile perforation : 9.5 x 30 mm

central distance : 50 mm

Delivery length L : 2000 mm

Material : steel, pre-galvanised acc. to DIN EN 10346

NIEDAX Model No. : 2980/2 SL

EP Material\_\_\_\_\_ EP Wage\_\_\_\_\_

Unit price/meter

### Safety & Environment

REACH Date	25.06.2025
REACH Info	Conformable
RoHS Info	Conformable

### Origin & International Trade

Country of origin	DE
Customs tariff number	73269098