

C-Profile Type 2980

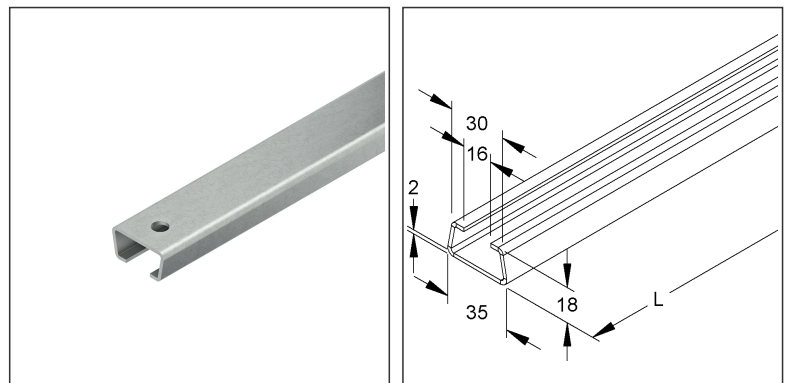
C-profile, slot width 16 mm, unperforated

2980/2 SO

EAN Code: 4013339042609

Smallest packaging unit: 10 x 2 m
quantity unit: m M

the photorealistic images are to be considered as reference images



Article Description

C-profile, C-profile, slot width 16 mm, 35x18x2000 mm, unperforated, steel, pre-galvanised according to DIN EN 10346

Weight

| | |
|--------------------------|--------------|
| Weight per quantity unit | 1,168 kg/ m |
| Weight in kg per 100 | 117 kg/ 100m |

Physical Article Dimensions

| | |
|--------------|----------|
| Height | 18.00 mm |
| Width | 35.00 mm |
| Depth/length | 2000 mm |

Technical Datasheet

Niedax rails

2980/2 SO

the photorealistic images are to be considered as reference images

Additional Price Information

| | |
|---------------|-----|
| Article group | N05 |
| quantity unit | m |

Packing Dimension

| | | | | | |
|-----------------------------|----------|-------------------------------------|----------------------|--------------------|----------|
| 20 meters = 1 bundle | | ✓ VP1-smallest packaging unit (PU) | | ✓ VP1-preferred PU | |
| Lenght | 2000 mm | Width | 100.00 mm | Height | 55.00 mm |
| Gross weight | 23 kg | Volume | 0,011 m ³ | | |
| Min. quantity | 20.00 m | Max. Quantity | 20.00 m | | |
| 800 meters = 1 rack | | | | | |
| Lenght | 2000 mm | Width | 850 mm | Height | 770 mm |
| Gross weight | 993 kg | Volume | 1,309 m ³ | | |
| Min. Quantity | 800.00 m | Max. Quantity | 800.00 m | | |

Tender Text

C-profile model 2980, C-profile with sloping sides, unperforated. Suitable U-clamps (B... and BK...).

Dimensions (approx. dimensions)

Height H x material thickness t : 18 x 2 mm

Width W to width W1 : 35 on 30 mm

Slot width : 16 mm

Delivery length L : 2000 mm

Material : steel, pre-galvanised acc. to DIN EN 10346

NIEDAX Model No. : 2980/2 SO

EP Material_____ EP Wage_____

Unit price/meter

Safety & Environment

| | |
|------------|-------------|
| REACH Date | 25.06.2025 |
| REACH Info | Conformable |
| RoHS Info | Conformable |

Origin & International Trade

| | |
|-----------------------|----------|
| Country of origin | DE |
| Customs tariff number | 73269098 |