

C-Profile Type 2980

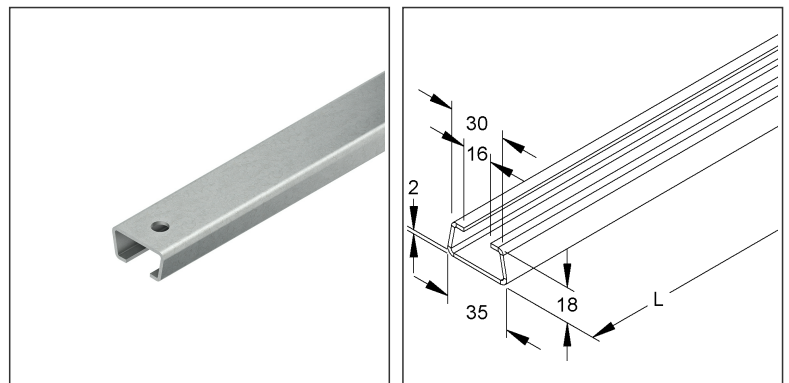
C-profile, slot width 16 mm, unperforated

2980/6 SO

EAN Code: 4013339042708

Smallest packaging unit: 6 x 6 m
 quantity unit: m M

the photorealistic images are to be considered as reference images



Article Description

C-profile, C-profile, slot width 16 mm, 35x18x6000 mm, unperforated, steel, pre-galvanised according to DIN EN 10346

Weight

Weight per quantity unit	1,168 kg/ m
Weight in kg per 100	117 kg/ 100m

Physical Article Dimensions

Height	18.00 mm
Width	35.00 mm
Depth/length	6000 mm

Technical Datasheet

Niedax rails

2980/6 SO

the photorealistic images are to be considered as reference images

Additional Price Information

Article group	N05
quantity unit	m

Packing Dimension

36 meters = 1 bundle		✓ VP1-smallest packaging unit (PU)	✓ VP1-preferred PU		
Lenght	6000 mm	Width	60.00 mm	Height	50.00 mm
Gross weight	42 kg	Volume	0,018 m ³		
Min. quantity	36.00 m	Max. Quantity	36.00 m		

Tender Text

C-profile model 2980, C-profile with sloping sides, unperforated. Suitable U-clamps (B... and BK...).

Dimensions (approx. dimensions)

Height H x material thickness t : 18 x 2 mm

Width W to width W1 : 35 on 30 mm

Slot width : 16 mm

Delivery length L : 6000 mm

Material : steel, pre-galvanised acc. to DIN EN 10346

NIEDAX Model No. : 2980/6 SO

EP Material_____ EP Wage_____

Unit price/meter

Safety & Environment

REACH Date	25.06.2025
REACH Info	Conformable
RoHS Info	Conformable

Origin & International Trade

Country of origin	DE
Customs tariff number	73269098