

C-Profile Type 2996Z

C-profile, slot width 22 mm, perforated

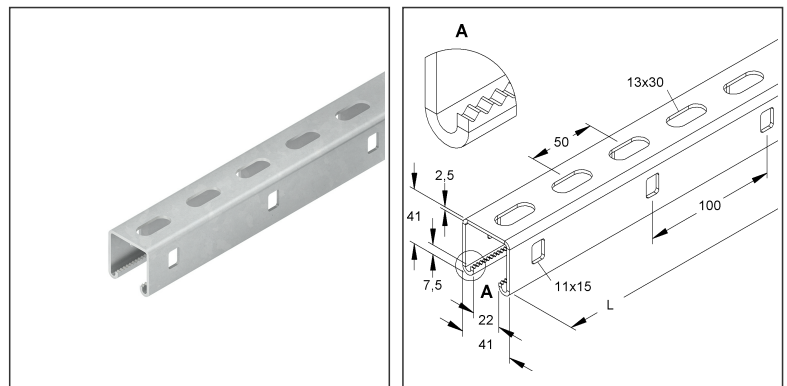
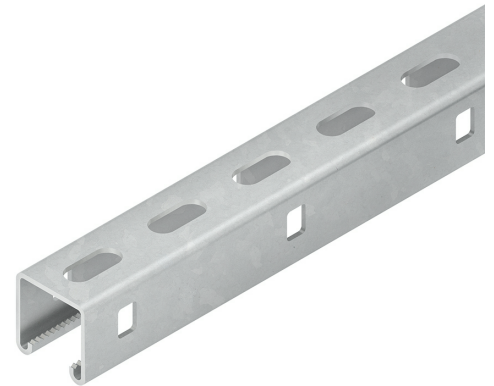
2996Z/3 FL

EAN Code: 4013339960675

Smallest packaging unit:3 m

quantity unit:m M

the photorealistic images are to be considered as reference images



Article Description

C-profile, slot width 22 mm, 41x41x3000 mm, perforated, steel, hot dip galvanised DIN EN ISO 1461, interlocked

Weight

Weight per quantity unit	2,652 kg/ m
Weight in kg per 100	265 kg/ 100m

Physical Article Dimensions

Height	41.00 mm
Width	41.00 mm
Depth/length	3000 mm

Technical Datasheet

Niedax rails

2996Z/3 FL

the photorealistic images are to be considered as reference images

Additional Price Information

Article group	N13
quantity unit	m

Packing Dimension

3 meters = 1 piece		✓ VP1-smallest packaging unit (PU)		✓ VP1-preferred PU	
Lenght	3000 mm	Width	41.00 mm	Height	41.00 mm
Gross weight	7,95 kg	Volume	0,005 m ³		
Min. quantity	3.00 m	Max. Quantity	3.00 m		
150 meters = 1 bundle					
Lenght	3000 mm	Width	220 mm	Height	220 mm
Gross weight	398 kg	Volume	0,145 m ³		
Min. Quantity	150.00 m	Max. Quantity	150.00 m		
600 meters = 1 rack					
Lenght	3000 mm	Width	1162 mm	Height	1120 mm
Gross weight	1689 kg	Volume	3,904 m ³		
Min. Quantity	600.00 m	Max. Quantity	600.00 m		

Tender Text

C-profile model 2996Z with tothing, bottom and sides continuously perforated. Sliding nut GMZ M...-22 F and screws or hammer head bolt HMZ M.../... F please order separately.
 Suitable U-clamps (BU... and BUK...).

The protective cap SKC 88/96 must be fitted in personal danger areas. To ensure that the protective cap can be fitted without problems, a distance of at least 30 mm from the end of the profile must be maintained.

Dimensions (approx. dimensions)
 Height H x width W x material thickness t : 41 x 41 x 2.5 mm
 Slot width : 22 mm
 Profile bottom perforation : 13 x 30 mm
 central distance : 50 mm
 Profile side perforation : 11 x 15 mm
 central distance : 100 mm
 Delivery length L : 3000 mm
 Material : steel, hot-dip galvanised acc. to DIN EN ISO 1461
 NIEDAX Model No. : 2996Z/3 FL
 EP Material _____ EP Wage _____
 Unit price/piece

Safety & Environment

REACH Date	25.06.2025
REACH Info	Conformable
RoHS Info	Conformable

Technical Datasheet

Niedax rails

2996Z/3 FL

the photorealistic images are to be considered as reference images

Origin & International Trade

Country of origin	DE
Customs tariff number	73269098