

Cable U-clamp

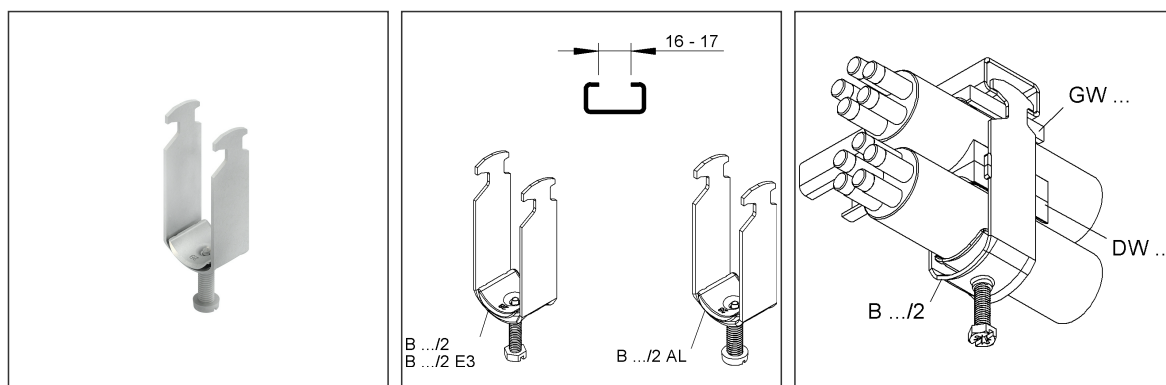
with pressure trough

B 26/2 AL

EAN Code: 4013339070701

Smallest packaging unit: 100 pcs.

the photorealistic images are to be considered as reference images



Article Description

Cable U-clamp, for 2 cables, Ø 22-26 mm, slot width 16-17 mm, aluminium, with aluminium pressure trough

Additional Price Information

Article group	N08
quantity unit	pcs.

Weight

Weight per quantity unit	27 g / pcs.
Weight in kg per 100	2,62 kg / 100pcs.

Physical Article Dimensions

Height	31.00 mm
Width	104.00 mm
Depth/length	29.00 mm

Technical Datasheet

U-clamps

B 26/2 AL

the photorealistic images are to be considered as reference images

Packing Dimension

100 pieces = 1 carton		✓ VP1-smallest packaging unit (PU)		✓ VP1-preferred PU	
Lenght	420 mm	Width	250 mm	Height	120.00 mm
Volume	0,013 m ³	Gross weight	3,16 kg		
Min. quantity	100.00 pcs.	Max. Quantity	100.00 pcs.		

4900 pieces = 1 pallet					
Lenght	1200 mm	Width	800 mm	Height	1000 mm
Gross weight	170 kg	Volume	0,960 m ³		
Min. Quantity	4.900.00 pcs.	Max. Quantity	4.900.00 pcs.		

Tender Text

Hammerfoot clamp, with pressure trough and M 8 pivot bolt to DIN EN ISO 1207 with multiple drive.
Counter tray GW ... and double tray DW... please order separately.
Used for: C-profile rails with 16 - 17 mm slot width
Dimensions (approx.)
Assignment one above the other: 2 cables
for cable Ø : 22 - 26 mm
Material hammerfoot stirrup : aluminum
Material of pressure trough : aluminum
NIEDAX model no. : B 26/2 AL
EP Material _____ EP Wage _____
Unit price/piece

Safety & Environment

REACH Date	25.06.2025
REACH Info	Conformable
RoHS Info	Conformable

Origin & International Trade

Country of origin	DE
Customs tariff number	76169990