

### Cable U-clamp

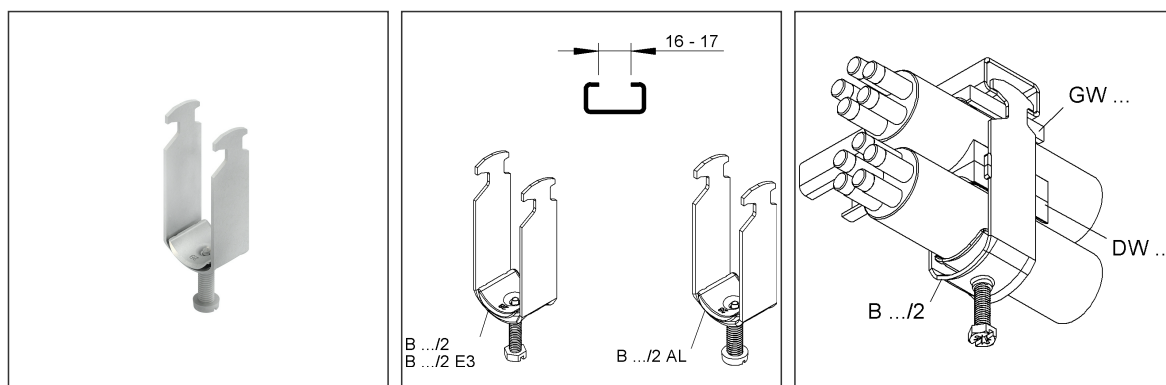
with pressure trough

**B 30/2 AL**

EAN Code: 4013339070800

Smallest packaging unit: 100 pcs.

the photorealistic images are to be considered as reference images



### Article Description

Cable U-clamp, for 2 cables, Ø 26-30 mm, slot width 16-17 mm, aluminium, with aluminium pressure trough

### Additional Price Information

Article group	N08
quantity unit	pcs.

### Weight

Weight per quantity unit	29 g / pcs.
Weight in kg per 100	2,9 kg / 100pcs.

### Physical Article Dimensions

Height	34.00 mm
Width	112.00 mm
Depth/length	29.00 mm

# Technical Datasheet

## U-clamps

B 30/2 AL

the photorealistic images are to be considered as reference images

### Packing Dimension

<b>100 pieces = 1 carton</b>		✓ VP1-smallest packaging unit ( PU)		✓ VP1-preferred PU	
Lenght	420 mm	Width	250 mm	Height	120.00 mm
Volume	0,013 m <sup>3</sup>	Gross weight	3,44 kg		
Min. quantity	100.00 pcs.	Max. Quantity	100.00 pcs.		

<b>4900 pieces = 1 pallet</b>					
Lenght	1200 mm	Width	800 mm	Height	1000 mm
Gross weight	157 kg	Volume	0,960 m <sup>3</sup>		
Min. Quantity	4.900.00 pcs.	Max. Quantity	4.900.00 pcs.		

### Tender Text

Hammerfoot clamp, with pressure trough and M 8 pivot bolt to DIN EN ISO 1207 with multiple drive.  
 Counter tray GW ... and double tray DW... please order separately.  
 Used for: C-profile rails with 16 - 17 mm slot width  
 Dimensions (approx.)  
 Assignment one above the other: 2 cables  
 for cable Ø : 26 - 30 mm  
 Material Hammerfoot stirrup : aluminum  
 Material of pressure trough : aluminum  
 NIEDAX model no. : B 30/2 AL  
 EP Material \_\_\_\_\_ EP Wage \_\_\_\_\_  
 Unit price/piece

### Safety & Environment

REACH Date	25.06.2025
REACH Info	Conformable
RoHS Info	Conformable

### Origin & International Trade

Country of origin	DE
Customs tariff number	76169990