

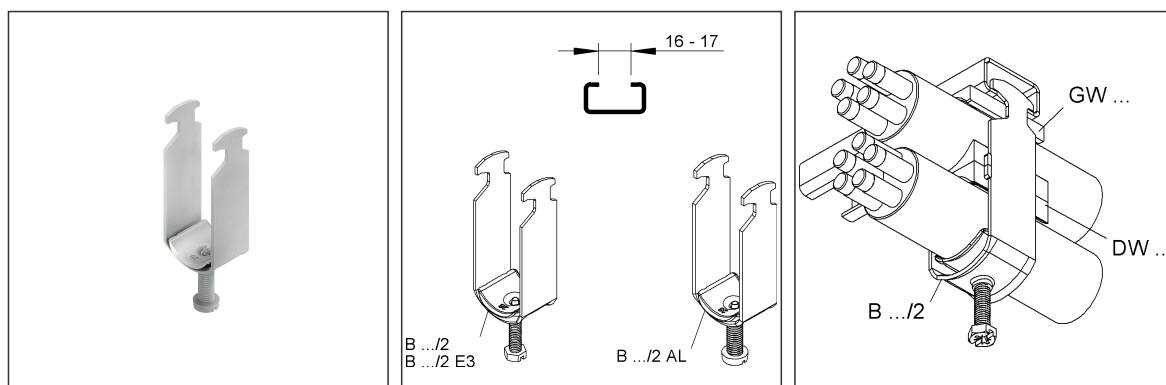
Cable U-clamp

with pressure trough

B 42/2 E3

EAN Code: 4013339084104
Smallest packaging unit: 50 pcs.

the photorealistic images are to be considered as reference images



Article Description

Cable U-clamp, for 2 cables, Ø 38-42 mm, slot width 16-17 mm, stain.steel,mat.: 1.4301, AISI 304, w. stainless steel pressure trough

Additional Price Information

| | |
|---------------|------|
| Article group | N08 |
| quantity unit | pcs. |

Weight

| | |
|--------------------------|------------------|
| Weight per quantity unit | 98 g / pcs. |
| Weight in kg per 100 | 9,8 kg / 100pcs. |

Technical Datasheet

U-clamps

B 42/2 E3

the photorealistic images are to be considered as reference images

Physical Article Dimensions

| | |
|--------------|-----------|
| Height | 46.00 mm |
| Width | 149.00 mm |
| Depth/length | 42.00 mm |

Packing Dimension

| | | | | | |
|-----------------------------|----------------------|-------------------------------------|------------|--------------------|-----------|
| 50 pieces = 1 carton | | ✓ VP1-smallest packaging unit (PU) | | ✓ VP1-preferred PU | |
| Lenght | 480 mm | Width | 280 mm | Height | 140.00 mm |
| Volume | 0,019 m ³ | Gross weight | 5,79 kg | | |
| Min. quantity | 50.00 pcs. | Max. Quantity | 50.00 pcs. | | |

| | | | | | |
|-------------------------------|---------------|---------------|----------------------|--------|---------|
| 1800 pieces = 1 pallet | | | | | |
| Lenght | 1200 mm | Width | 800 mm | Height | 1000 mm |
| Gross weight | 223 kg | Volume | 0,960 m ³ | | |
| Min. Quantity | 1.800.00 pcs. | Max. Quantity | 1.800.00 pcs. | | |

Tender Text

Hammerfoot clamp, with pressure trough and M 6 pivot bolt with multiple drive.
Counter trays GW ... and double tray DW... please order separately.
For use in functional maintenance, please observe additional regulations!
Used for: C-profile rails with 16 - 17 mm slot width
Dimensions (approx. dimensions)
Assignment one above the other: 2 cables
for cable Ø : 40 - 42 mm
Material hammerfoot stirrup : stainless steel, material no. 1.4301, AISI 304
Material pressure trough : stainless steel, material no. 1.4301, AISI 304
NIEDAX model no. : B 42/2 E3
EP Material_____ EP Wage_____
Unit price/piece

Safety & Environment

| | |
|------------|-------------|
| REACH Date | 25.06.2025 |
| REACH Info | Conformable |
| RoHS Info | Conformable |

Origin & International Trade

| | |
|-----------------------|----------|
| Country of origin | DE |
| Customs tariff number | 73269098 |